

## Spring Plungers · smooth, with collar and ball, self-clamping

EH 22080.

### Product Description

Spring plungers can be used for locating or for applying pressure, as a detent or for ejection. Due to expanding fit of the body, the spring plungers can accommodate variation of up to 0,2 mm in the locating bore. A less precise locating hole means lower machining costs.



### Material

#### Body

- Thermoplastic POM, black

#### Ball

- Stainless steel, hardened
- Thermoplastic POM, white

#### Spring

- stainless steel

### Assembly

Thanks to the flexible design of the body, a direct manual mounting and a secure overhead installation is possible.

### More information

### Notes

Special types on request.  
Spring plungers are specially tested for spring range and forces.

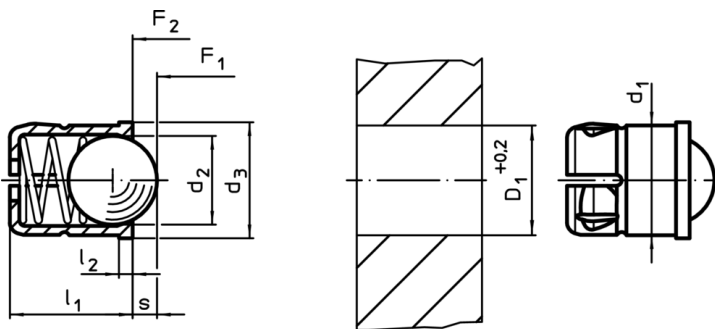
### References

Calculation of indexing resistance, see details at the start of the section.

### Further products

- Spring Plungers, smooth, with collar and ball, self-clamping – INCH

### Drawing



### Order information

Dimensions					Stroke s [mm]	Spring load <sup>1)</sup>		Temperature		Location hole D <sub>1</sub> +0.2 [mm]	Weight [g]	Art. No.
d <sub>1</sub> +0.1	d <sub>2</sub>	d <sub>3</sub>	l <sub>1</sub> ±0.2	l <sub>2</sub> ~		F <sub>1</sub> ~	F <sub>2</sub> ~	min.	max.			
[mm]						[N]		[°C]				
<b>Thermoplastic body, stainless steel ball</b>												
4	3.0	4.6	5.0	1.0	0.8	3.0	6.5	-30	50	4	0.2	22080.0704
5	4.0	5.6	6.0	1.0	1.0	6.0	9.4	-30	50	5	0.4	22080.0705
6	5.0	6.5	7.0	1.0	1.6	6.2	12.6	-30	50	6	0.6	22080.0706
8	6.5	8.5	9.0	1.0	1.9	10.0	20.4	-30	50	8	1.5	22080.0708
10	8.0	11.0	13.5	1.5	2.4	11.9	22.3	-30	50	10	3.1	22080.0710
<b>body and ball from thermoplastic</b>												
4	3.0	4.6	5.0	1.0	0.8	3.0	6.5	-30	50	4	0.1	22080.0804
5	4.0	5.6	6.0	1.0	1.0	6.0	9.4	-30	50	5	0.1	22080.0805
6	5.0	6.5	7.0	1.0	1.6	6.2	12.6	-30	50	6	0.2	22080.0806
8	6.5	8.5	9.0	1.0	1.9	10.0	20.4	-30	50	8	0.5	22080.0808
10	8.0	11.0	13.5	1.5	2.4	11.9	22.3	-30	50	10	1.4	22080.0810

<sup>1)</sup> statistical average value

## Application example



## Compliance

### RoHS compliant

Compliant according to Directive 2011/65/EU and Directive 2015/863

### Does not contain SVHC substances

No SVHC substances with more than 0.1% w/w contained - SVHC list [REACH] as of 08.07.2021

### Does not contain Proposition 65 substances

No Proposition 65 substances included  
<https://www.P65Warnings.ca.gov/>

### Free from Conflict Minerals

This product does not contain any substances designated as "conflict minerals" such as tantalum, tin, gold or tungsten from the Democratic Republic of Congo or adjacent countries.