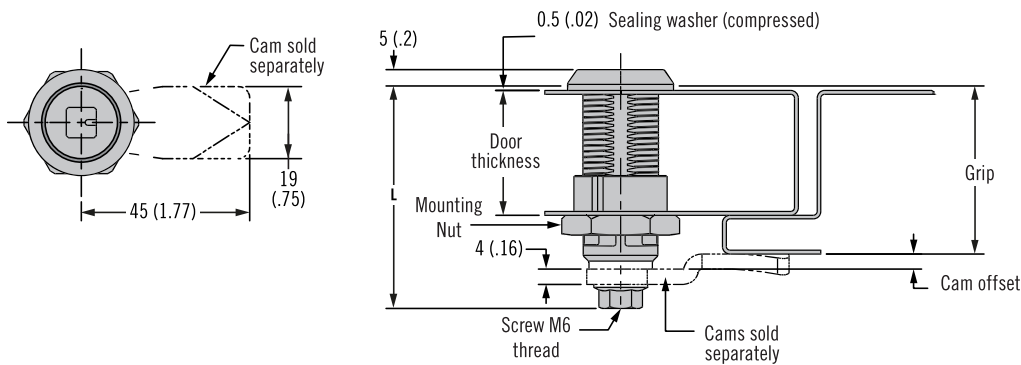


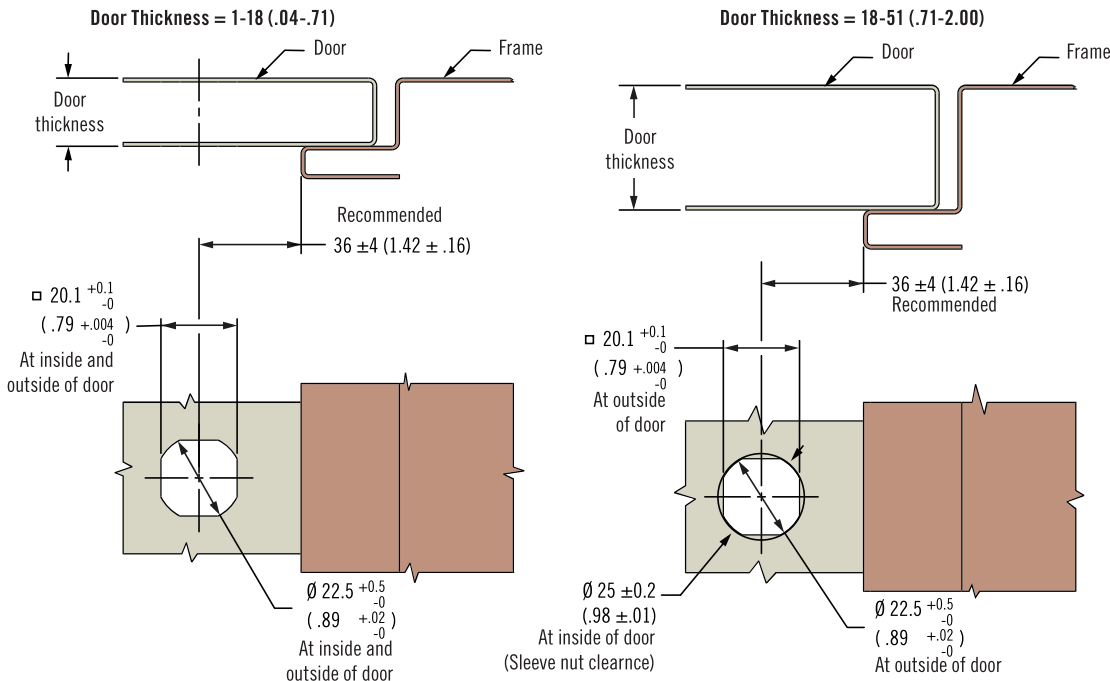


E5 Cam Latch

Zinc · Tool operated · Long Housing · Fixed grip



Door Preparation



- Single hole install
- Latched / unlatched indicator
- Suitable for thick doors

Material and Finish

Zinc alloy, powder coated or chrome plated and steel, zinc plated

Performance Details

Maximum static load: 30 N (74 lbf)

Installation Notes

Mounting nut:
Maximum tightening torque:
10 N·m (88 in·lbf)
Screw Maximum tightening torque:
5 N·m (45 in·lbf)

Sealing Notes

NEMA 4 / IP65 achieved using gasket supplied

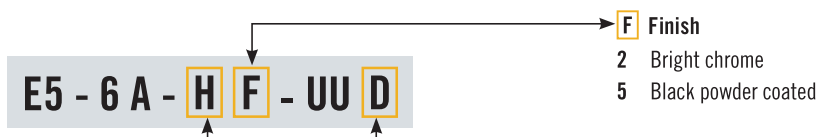
Keys and Accessories

See page 120 and 169-175

Part Number Selection

See table
Order latch and cam separately

Compatible with flat and roller cams
- See page 171, Long Housing Table for cam part numbers



H Head style (See for details)

- | | |
|-----------------------|-------------------------------------|
| 00 Slotted | 08 8 (.32) Square recess |
| 01 8 (.32) Hex recess | 13 Bellcore 216 |
| 02 7 (.28) Triangle | 19 Bellcore Electronics |
| 03 8 (.32) Triangle | 21 Recessed slot (tamper resistant) |
| 04 7 (.28) Square | 22 Railway standard |
| 05 8 (.32) Square | 23 Blank |
| 06 3 (.11) Double bit | |
| 07 5 (.19) Double bit | |

D	Door Thickness	Grip Range	L
1	1-18 (.04-.71)	5-53 (.20-2.09)	45.5 (1.79)
2	1-18 (.04-.71)	54-82 (2.13-3.23)	68.2 (2.69)
3	18-33 (.71-1.30)	18-66 (.71-2.60)	58.2 (2.29)
4	18-33 (.71-1.30)	68-82 (2.60-3.23)	68.2 (2.69)
5	33-51 (1.30-2.00)	34-82 (1.34-3.23)	68.2 (2.69)

Optional Keeper for Roller Cam

Part number E5-74-601-33



Dimensions in millimeters (inch) unless otherwise stated

www.southco.com/E5