

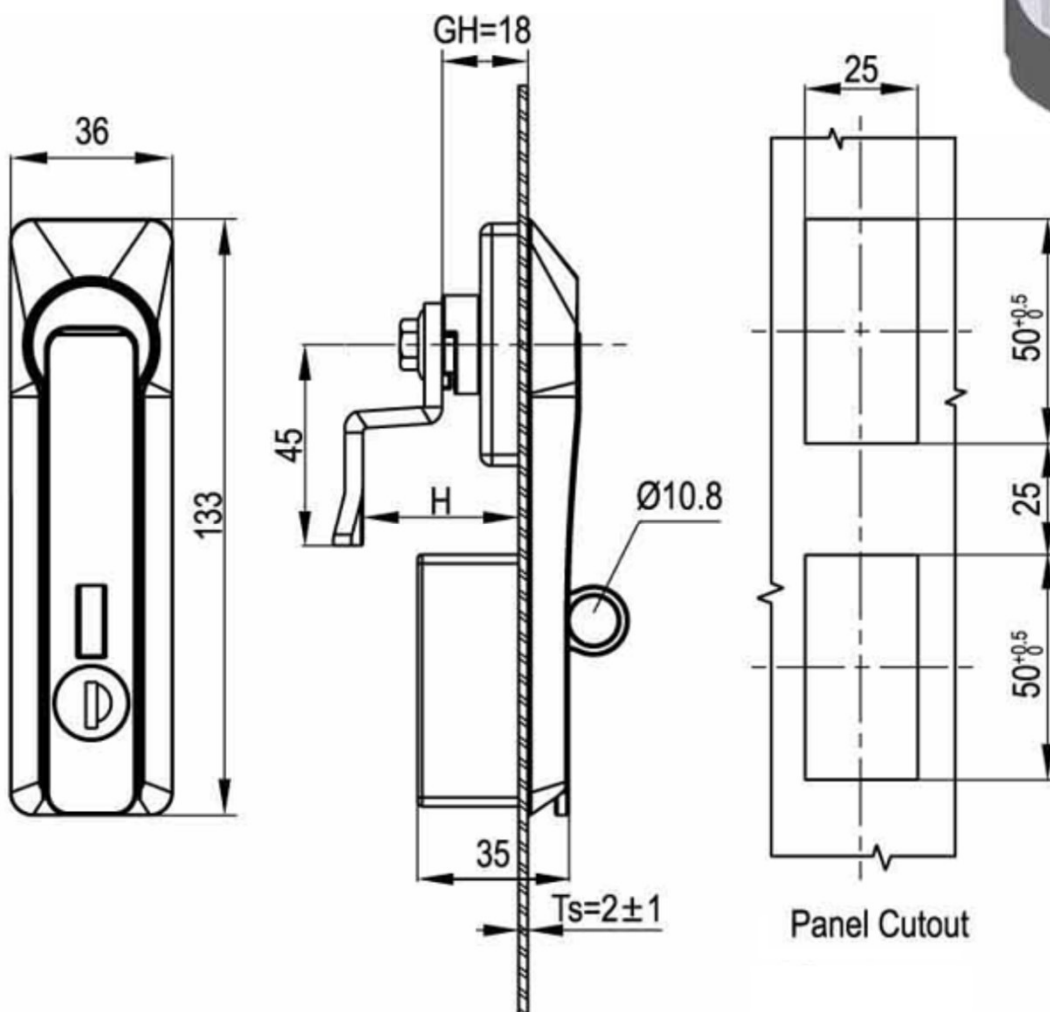


**Concept  
Latch Lock & Hinge**

## Swing Handle 1103-1001-50-P

Key lockable & Padlockable

**Material:** Zinc diecast black E-coated



[www.conceptlatch.com.au](http://www.conceptlatch.com.au)  
[sales@conceptlatch.com.au](mailto:sales@conceptlatch.com.au)  
03 9388 2551