

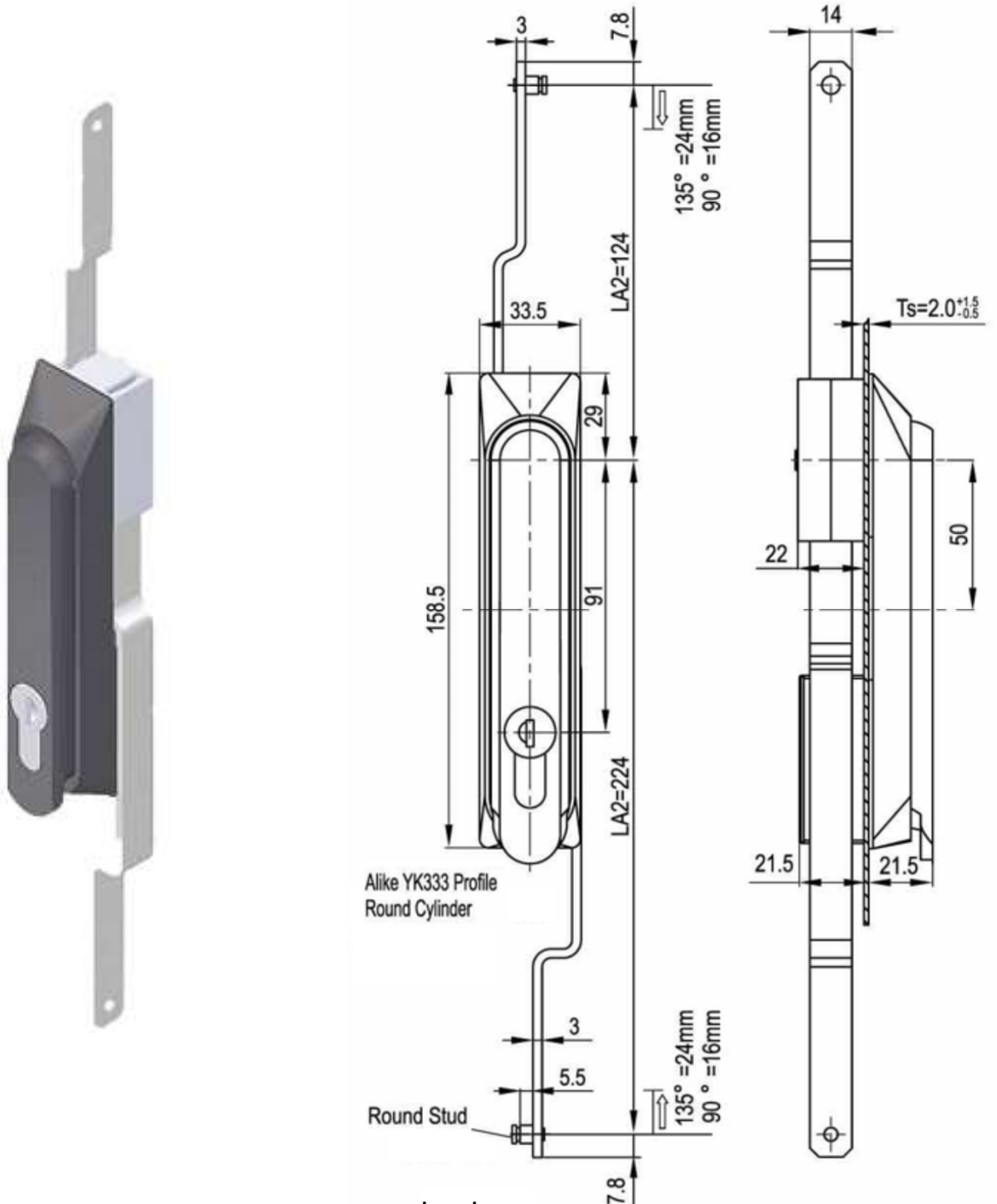


**Concept
Latch Lock & Hinge**

Swing Handle 1101-2P01-NC

Key lockable with rod control

Material: Plastic body with zinc diecast rod control & zinc plated shaft & flat rod.



www.conceptlatch.com.au
sales@conceptlatch.com.au
03 9388 2551