



H3 Swinghandle System

Plastic · Large · Non-sealed

- Lightweight Glass filled nylon swinghandle system UL94-V0 rated
- DIN profile locking options
- Push or turn to close versions available

Material and Finish

Handle: Glass filled nylon
Cam: Steel, zinc plated

Performance Details

Max. static load: 250 N (56 lbf)

Keys

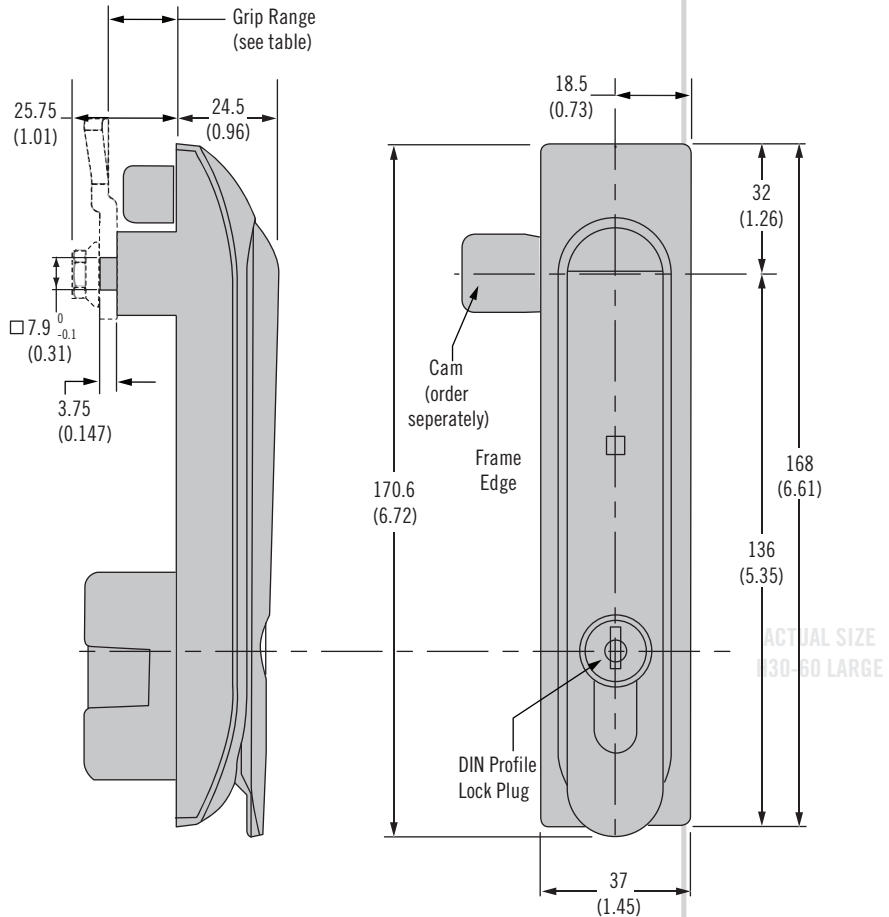
See page 120

Notes

Electromechanical swinghandle available see pages 40-41

For metal version visit pages 186-187 and 224-225

H3 Plastic Swinghandle



Part Number Selection

For single point:

Order latch and cam separately

For multi-point order:

Latch and cam

Linear actuator and rod adaptors

Rods

Rod guides

Note

*2 keys supplied

Latch Part Number (no cam)

T Style

65 Push to close handle

66 Turn to close handle

L Lock style

- 00 Locking DIN profile (no lock supplied)
- 21 Locking DIN profile keyed alike CH751*
- 22 Locking DIN profile keyed alike 300*
- 23 Locking DIN profile keyed alike 333*
- 70 DIN profile 3 mm Double-bit
- 71 DIN profile 5 mm Double-bit
- 72 DIN profile Bellcore 216
- 73 DIN Profile Bellcore Hex-Pin Recess
- 77 DIN profile 8 mm triangle

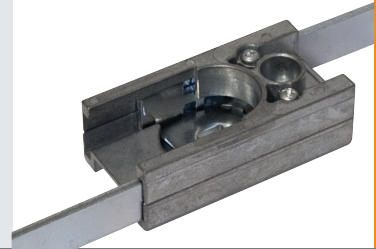
H3 - T - 5 L - 071

Cam Part Number Table

Grip	Part Number (length = 38mm)	Part Number (length = 45mm)
15.5 (.61)	E5-6710	E5-6110
17.5 (.69)	E5-6711	E5-6111
19.5 (.77)	E5-6712	E5-6112
21.5 (.85)	E5-6713	E5-6113
23.5 (.93)	E5-6714	E5-6114
OTHER	Please contact Southco	

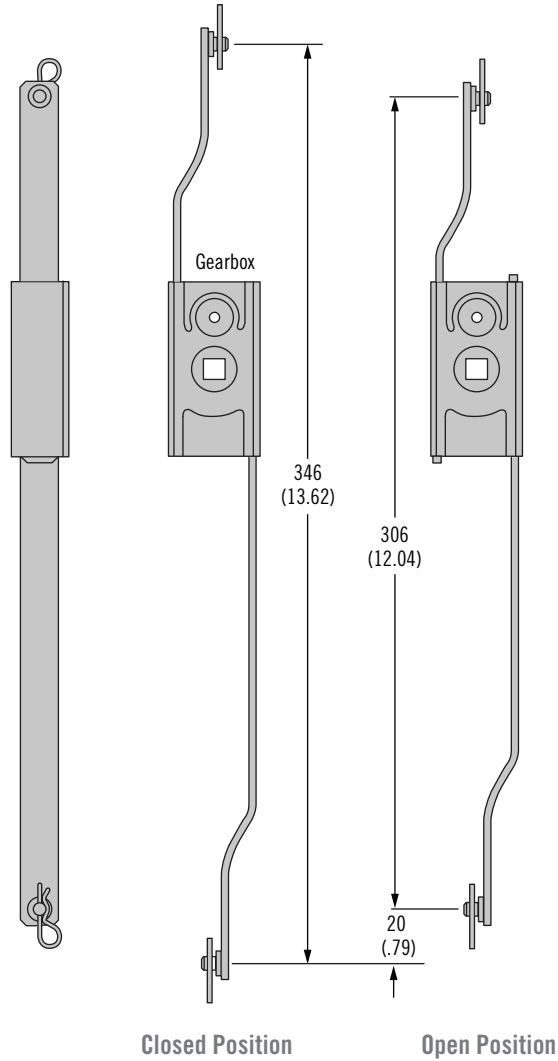
H3 Linear Actuators

Linear actuators and rod adaptor for plastic H3 swinghandle system

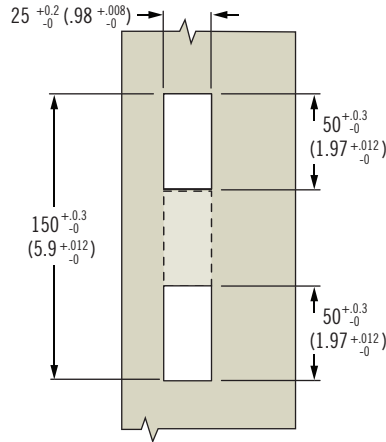


Linear Actuator

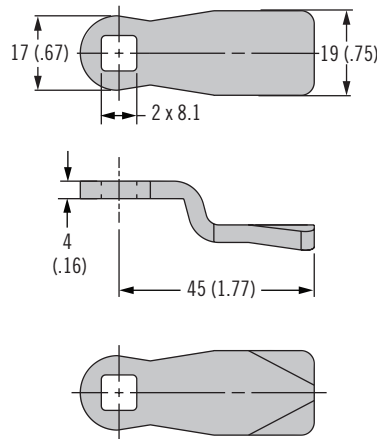
(Right Hand Mounting shown)



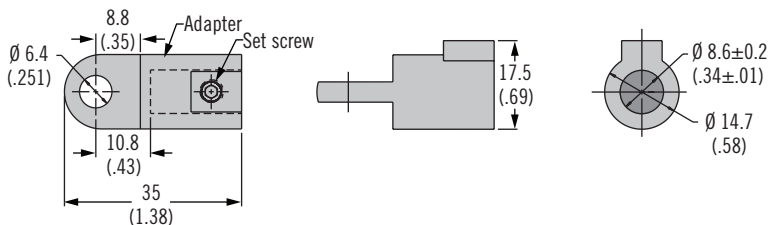
Panel Preparation



Cam



Rod Adaptor



- Linear actuator for Plastic H3 swinghandles
- Linear rod travel for limited space
- Suitable for left and right hand applications
- Left and Right hand Actuators can be disassembled and reassembled in the opposite hand if required

Material and Finish

Zinc alloy and steel, zinc plated

To Select Linear actuator and Rod Adaptor:

For use with H3-65 and H3-66 swinghandles. Order linear actuator and rod adaptors separately (1 actuator and 2 adaptors required per latch)

Accessories

Replacement rod adaptor retainer pin part number: H3-0-44778-01

Part Number

Linear actuator and rod adaptors see table

For multi-point order: Latch Cam (if 3 point latching required) Linear actuator and rod adaptor (see table)

Rods, Rod guides

Part Number	
Linear actuator right hand mounting	H3-61-56-33
Linear actuator left hand mounting	H3-61-55-33
Rod adaptor	A5-92-201-31