

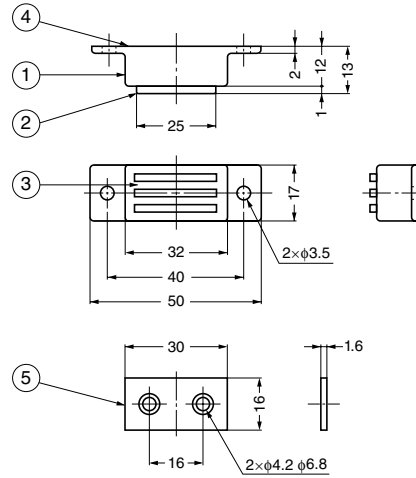
MAGNETIC CATCH

MC0083



Features

Strong magnetic force.



No.	Part Name	Material	Finish
①	Body	Brass	Nickel
②	Yoke	Steel	Nickel
③	Magnet	Ferrite	—
④	Cover	Aluminium Alloy	Anodized
⑤	Counter Plate	Steel	Nickel

Item Code	Item Name	Magnetic Force N	Magnetic Force kgf	Weight	Box	Carton
140-058-068	MC0083	68.6 N	7.0 kgf	32 g	40 pcs	400 pcs

MAGNETIC CATCH

MC0083-N



Features

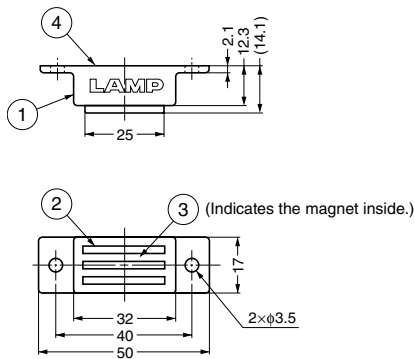
- Strong magnetic force.
- Similar item: MC0083HP (P.267)
- Suitable for kitchens and laboratory equipment

Remarks

Max. temperature: 80°C

Sold Separately

Counter plate AS-68 (P.273)



No.	Part Name	Material	Finish
①	Body	Stainless Steel (SUS304)	Mirror
②	Yoke	Steel	Nickel
③	Magnet	Neodymium	Nickel
④	Cover	Stainless Steel (SUS304)	Plain

Counter Plate (Sold Separately)

Item Code	Item Name	Page
140-050-138	AS-68	P.273

Body

Item Code	Item Name	Magnetic Force N	Magnetic Force kgf	Weight	Box	Carton
140-026-513	MC0083-N	137 N	14 kgf	41 g	40 pcs	400 pcs

MAGNETIC CATCH

STAINLESS
430
STEEL

MC0083HP



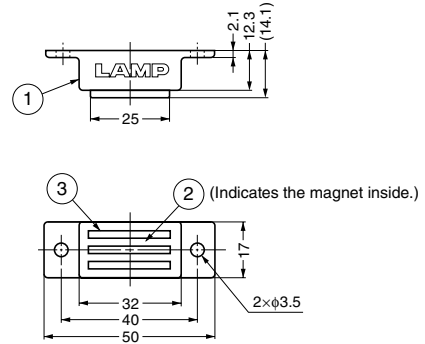
Features

- Suitable for high temperature environments up to 250°C. Small with strong magnetic force.
- Corrosion and heat resistance: both magnets and yokes are made of stainless steel.

Similar item: MC-YN0083N (P.266)

Sold Separately

Counter plate (SUS) AS-68 (P.273)



Body

Item Code	Item Name	Magnetic Force N	Magnetic Force kgf	Weight	Box	Carton
140-012-729	MC0083HP- 70	70 N	7.1 kgf	40 g	40 pcs	400 pcs
140-012-613	MC0083HP-140	140 N	14.3 kgf	40 g	40 pcs	400 pcs

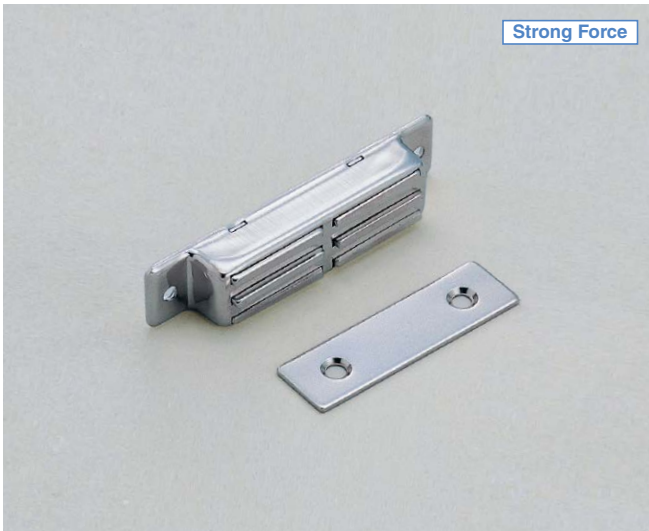
Counter Plate (Sold Separately)

Item Code	Item Name	Page
140-050-138	AS-68	P.273

No.	Part Name	Material	Finish
①	Body	Stainless Steel (SUS304)	Mirror
②	Magnet	Samarium Cobalt	Plain
③	Yoke	Stainless Steel (SUS430)	Mirror

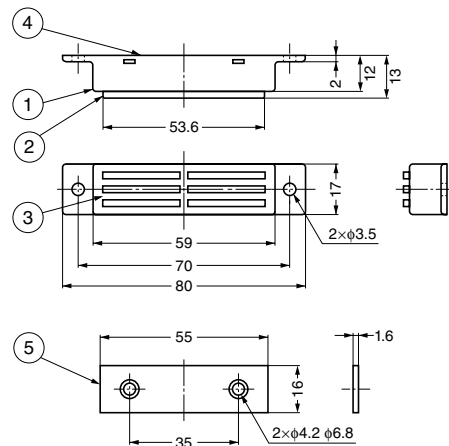
MAGNETIC CATCH

MC0083D



Features

Strong magnetic force.



No.	Part Name	Material	Finish
①	Body	Brass	Nickel
②	Yoke	Steel	Nickel
③	Magnet	Ferrite	—
④	Cover	Aluminium Alloy	Anodized
⑤	Strike	Steel	Nickel

Item Code	Item Name	Magnetic Force N	Magnetic Force kgf	Weight	Box	Carton
140-058-067	MC0083D	98 N	10 kgf	63 g	20 pcs	200 pcs