



**Concept
Latch Lock & Hinge**

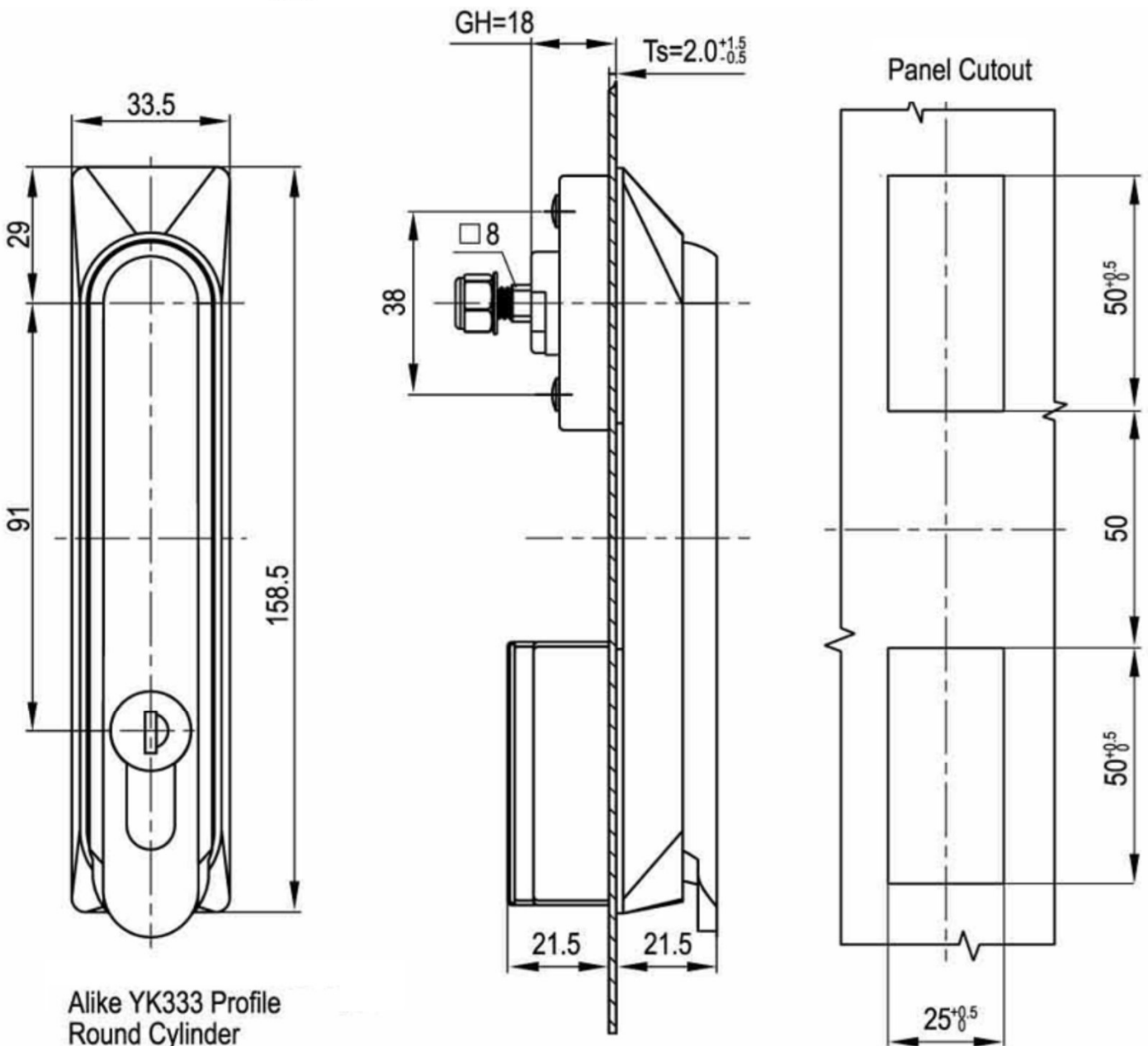


Swing Handle 1101-1P01-C

Key lockable

With & without dust cover

Material: Plastic body with zinc plated shaft & fixing parts



www.conceptlatch.com.au
sales@conceptlatch.com.au
03 9388 2551