



AC-20 Multi Point Actuator

Pull-to-open Paddle

- Single or multi-point actuation capability
- Compatible with a wide range of rotary latches
- Environmentally sealed

Material and Finish

Housing: Glass-filled nylon, black

Paddle: Zinc alloy, black powder coated or chrome plated

Installation Notes

Maximum tightening torque on supplied mounting nuts 3 N·m (27 in·lbf)

Notes

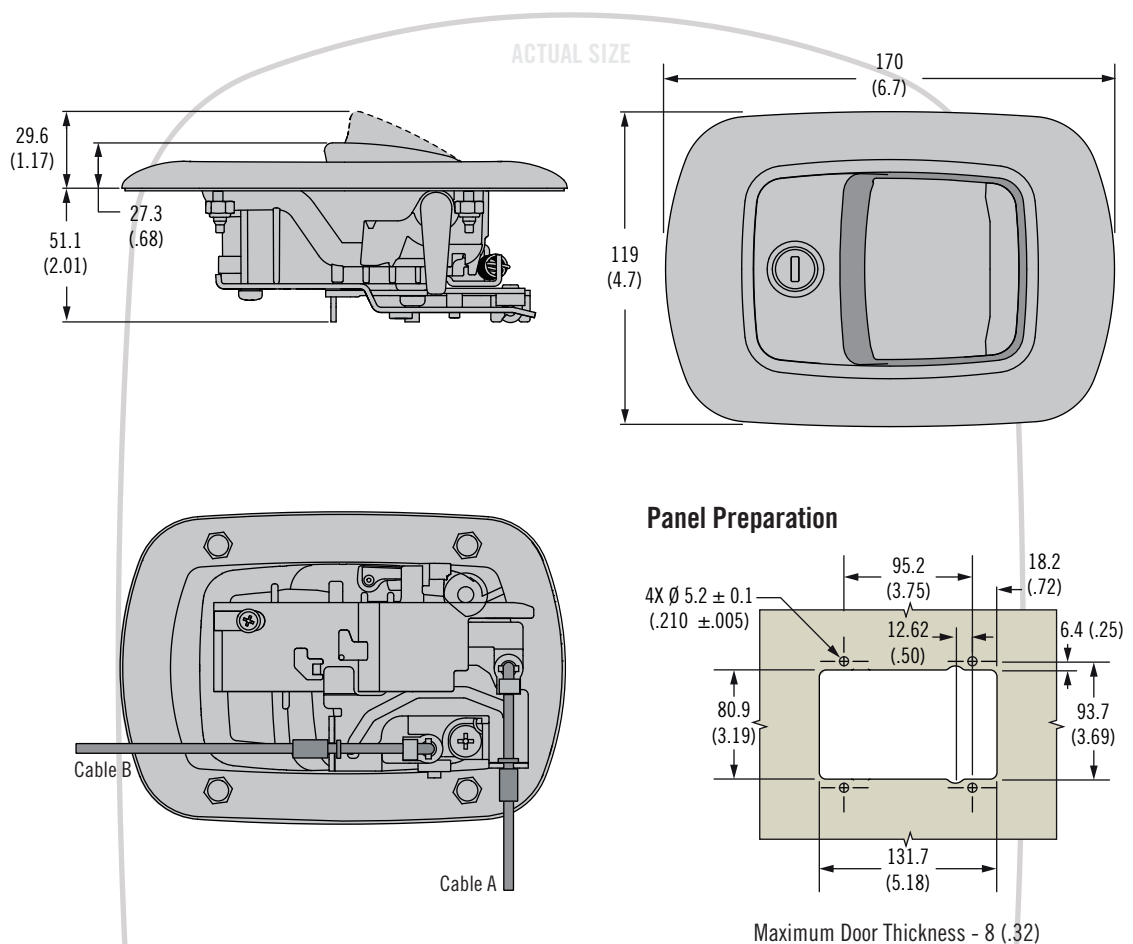
For lock core selection and a complete overview of the *SOUTHCO*® Key-Choice System see page 190

Can be configured with 1 or 2 cables.

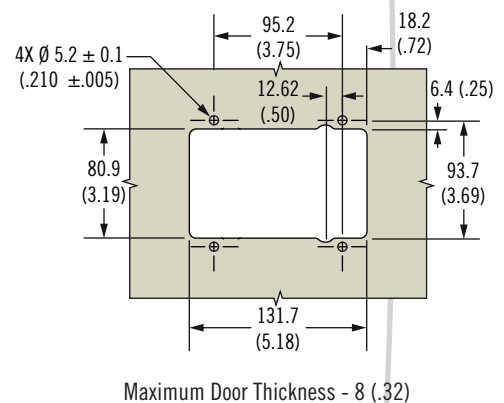
See Cable Selection Tool on Southco.com

Part Number

See table



Panel Preparation



- PP Paddle Finish**
30 Chrome, polished
50 Black powder coated

AC - 20 - 3 **L** 1 - **PP** - **KC**

L Locking Options

- 1 Reversible Key (No Keys - R001)
- 2 Reversible Key (2 Keys included - R001)
- 3 Reversible Key (Keyed differently - 2 keys included)
- 4 Standard Key (No keys - CH751)
- 5 Standard Key (2 Keys included - CH751)
- 6 Standard Key (Keyed differently - 2 keys included)
- 9 No Lock Plug installed (See notes for more information)

KC Key Codes

(Omit for Locking Options 1, 2, 4, 5 and 9)

***KD10** Keyed Differently (Only used if **L** = 3 or 6)

***MK10** Master Keyed Differently (Only used if **L** = 6)

*Supplied in multiples of 10 with 10 different key codes.