

GRAVITY SOFT-CLOSE HINGE HG-JG150 Self and Soft Close

INSTRUCTION

Passed 50,000 open/close private test



Self-close Hinge
(for lower)



Soft-close Hinge
(for upper)

- Automatically and slowly close doors from 65 degrees.
(The self-close feature uses gravity, and the soft-close feature is due to a built-in damper.)
- Can separate into two parts for easy installation and disassembly.
- The closing speed of doors is adjustable.
- Doors cannot be removed when closed for security purposes. (0°)
- Door position can be adjusted for depth and in a horizontal direction (± 3 mm).

[Specification]

- Temperature : 0 - 40 °C

[Remarks]

- Set door stopper to prevent doors from opening over 180°.
- Sold in set of two hinges. (soft-close hinge and self-close hinge)

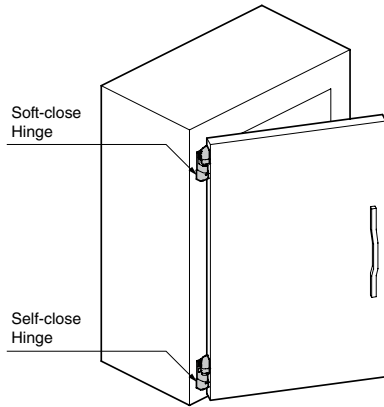
[Parts Included]

- Cover
- Adjustment Plate

[Recommended Screw]

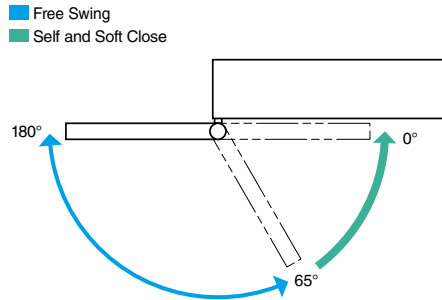
- M6 Binding head screw / Pan head screw
- M6 Hexagon socket head bolt / Button bolt

[Installation of Left-handed Type]

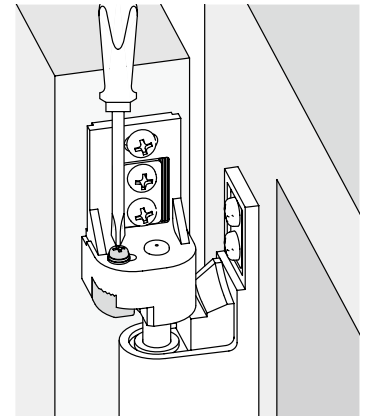


* Pitch between hinges: Min. 1200 mm

[Door Motion]

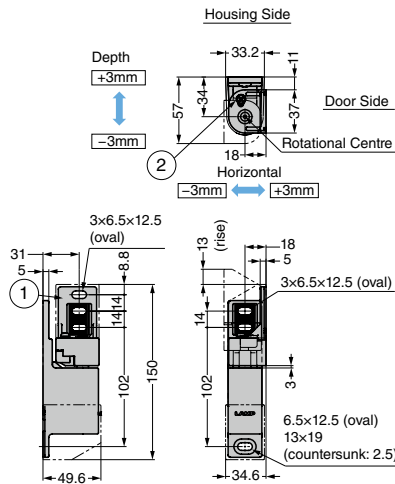


[Speed Adjustment]

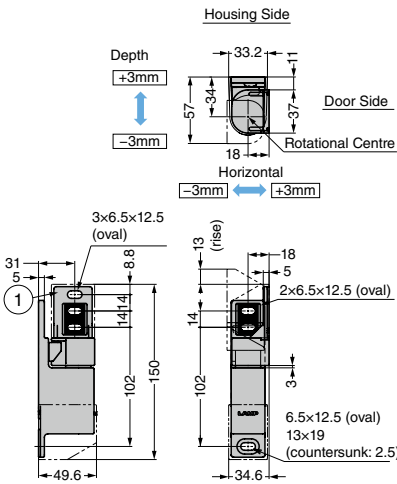


Closing speed can be adjusted with the screw of the soft-close hinge which is for the upper side.

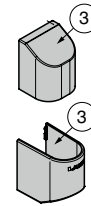
[Soft-close Hinge]



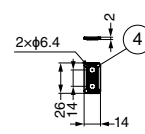
[Self-close Hinge]



[Covers]



[Adjustment Plate]



No.	Part Name	Material	Finish
①	Body	Zinc Alloy (ZDC)	Chrome
②	Speed Adjustment Screw	Steel	Nickel
③	Cover	ABS	Chrome
④	Adjustment Plate	Zinc Alloy (ZDC)	Chrome

* Left-handed type is shown.

Sold in set of two hinges. (soft-close hinge and self-close hinge)

RoHS	CAD	Item Code	Item Name	Position	Finish	Door Width	Door Height	Load Capacity kgf / set	Weight (g)	Carton (set)
●	●	170-048-340	HG-JG150R-CR	Right-handed	Chrome	Max. 900	Max. 2400	10 to 20	995	10
●	●	170-048-341	HG-JG150L-CR	Left-handed						10