



ONE WAY TORQUE HINGE HG-TQA



Sold in pairs.

- Friction in one direction only: Allows for frictionless handling of the door in the opposite direction.
- Torque is stable.

[Specifications]

- Operating temperature: 0°C ~ 50°C

[Applications]

- Impact-free opening and closing of door. Medical equipment, FA equipment, and OA equipment, etc.

[Remarks]

- Be sure to read the "Cautions"
- Use the door at less than 80% of torque ($7.2N \cdot m$ or less).
- Torque will decrease at low temperature.
- Not suited to vibration environment.
- Hexalobular socket head screw (shown below as) may not be used for torque adjustment. Do not tighten or loosen.
- Install an external stopper to hold the door within the range where torque is not effective (Refer to the lower left diagram for details).
- Install a catch to keep the door closed.
- Before installation, check if the installing position is strong enough.
- Install the torque unit (male) at the fixed side while the clutch unit (female) at the movable side.
- Sold in pairs.
- When installing, ensure that both hinge shafts are levelled and aligned.

Video Link

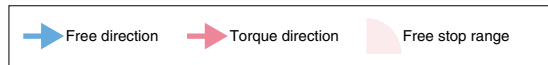


Selection Tool

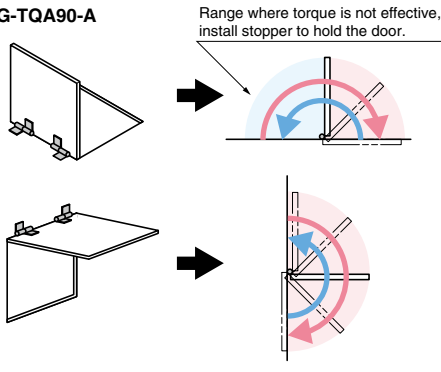
Sasuga-kun
Applicable Products

Used for Product Selection & Simulation.
Available on Web!

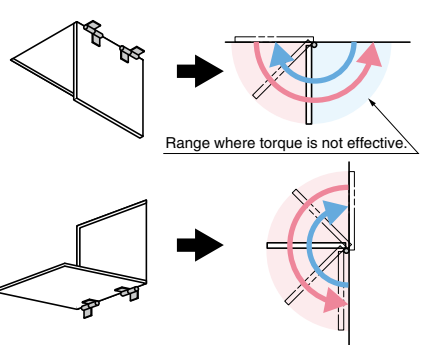
[Torque and Free Stop Range]



● HG-TQA90-A

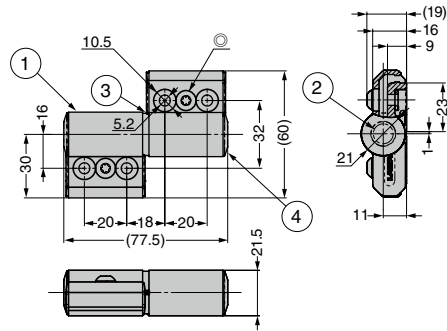


● HG-TQA90-B



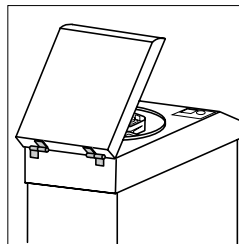
[Recommended Screws]

- M5 binding head screws

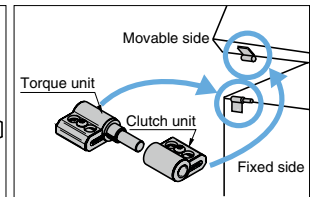


No.	Part Name	Material	Finish
①	Body	Aluminium Alloy	Anodised Silver
②	Shaft	Stainless Steel	Plain
③	Sleeve	POM	Black
④	Cover		

[Application Example]



[Installation]



RHS	CAD	Item Code	Item Name	Torque N·m / pair※	Torque kgf·cm / pair※	Weight (g / pair)	Box (pairs)	Carton (pairs)
		170-021-244	HG-TQA90-A	9.0 ^{+40%} _{-20%}	91.8 ^{+40%} _{-20%}	270	1	10
		170-021-245	HG-TQA90-B				1	10

Refer to : P.15.

※ Since torque will decrease due to long-term use, temperature, humidity and other factors, it is set to a higher level at delivery.