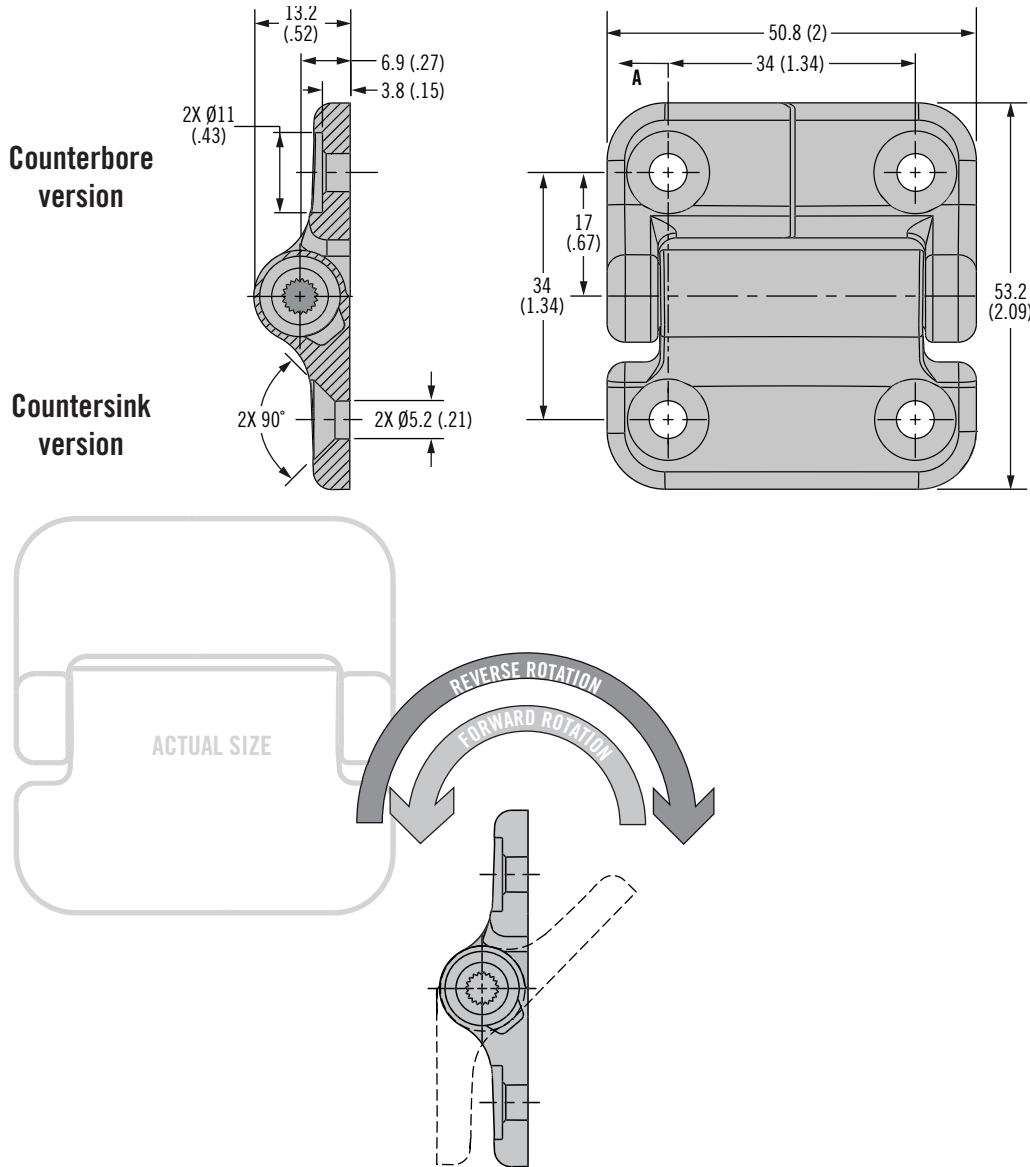


E6 Hinge

Position control · Constant torque



- Holds in every position
- No adjustment required
- Long cycle life

Material and Finish

Stainless steel
Internal steel and plastic components

Performance Details

Cycle performance: 20,000 cycles within $\pm 20\%$ of static torque specification

Radial load:

Maximum static load: 200 N (45 lbf)

Average ultimate load:

13 kN (2,900 lbf)

Axial load:

Maximum static load: 200 N (45 lbf)

Average ultimate load:

4 kN (900 lbf)

| Counterbore Part Number | Countersink Part Number | Forward Torque N·m (in·lbf) | Reverse Torque N·m (in·lbf) |
|-------------------------|-------------------------|-----------------------------|-----------------------------|
| E6-70-408S-24 | E6-71-408S-24 | 0.90 (8.0) | |
| E6-70-416S-24 | E6-71-416S-24 | 1.81 (16.0) | |
| E6-70-420S-24 | E6-71-420S-24 | 2.26 (20.0) | |
| E6-70-430S-24 | E6-71-430S-24 | 3.39 (30.0) | |
| E6-70-420F-24 | E6-71-420F-24 | 2.26 (20.0) | 1.54 (13.6) |
| E6-70-430F-24 | E6-71-430F-24 | 3.39 (30.0) | 2.30 (20.4) |
| E6-70-440F-24 | E6-71-440F-24 | 4.52 (40.0) | 3.08 (27.3) |
| E6-70-420R-24 | E6-71-420R-24 | 1.54 (13.6) | 2.26 (20.0) |
| E6-70-430R-24 | E6-71-430R-24 | 2.30 (20.4) | 3.39 (30.0) |
| E6-70-440R-24 | E6-71-440R-24 | 3.08 (27.3) | 4.52 (40.0) |

Part Number

See table