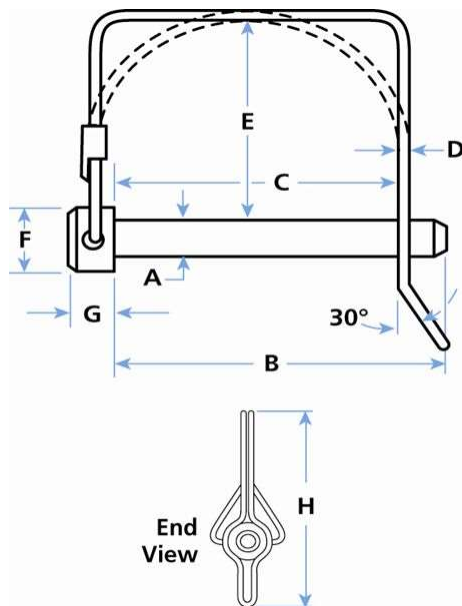


Quick-Release Tab Lock Pins - Round

Material: Low carbon steel, zinc plated
Wire loop: Hard drawn MB spring wire.

Available in stainless steel on request. MOQ's may apply.

Just like a Quick-Release Wire Lock Pin, this fastener is like having a pin and cotter in one secure assembly. Quick-Release Tab Lock Pins are even easier to use than standard wire lock pins! Tab Lock Pins are similar to a Quick-Release Wire Lock Pin but feature a formed "tab" to allow for easy removal. These quick locking pins do not require cotter pins and are faster to use than clevis pins and cotters.



Steel Lanyards or Nylon Lanyards may be added as a low cost tether to prevent loss. These quick locking pins do not require cotter pins and are faster to use than clevis pins and cotters.

Quick-Release Tab Lock Pins are also known as PTO Pins, Snapper Pins, Hitch Pins and Quick Pins.

Part Number	Basic Shank Diameter [in]	Pin Length - B [in]	Effective Length - C [in]	Loop Clearance - E [in]	Material
T-LOCK-1RD	1/4	2.000	1.750	1.625	Zinc Plated Steel