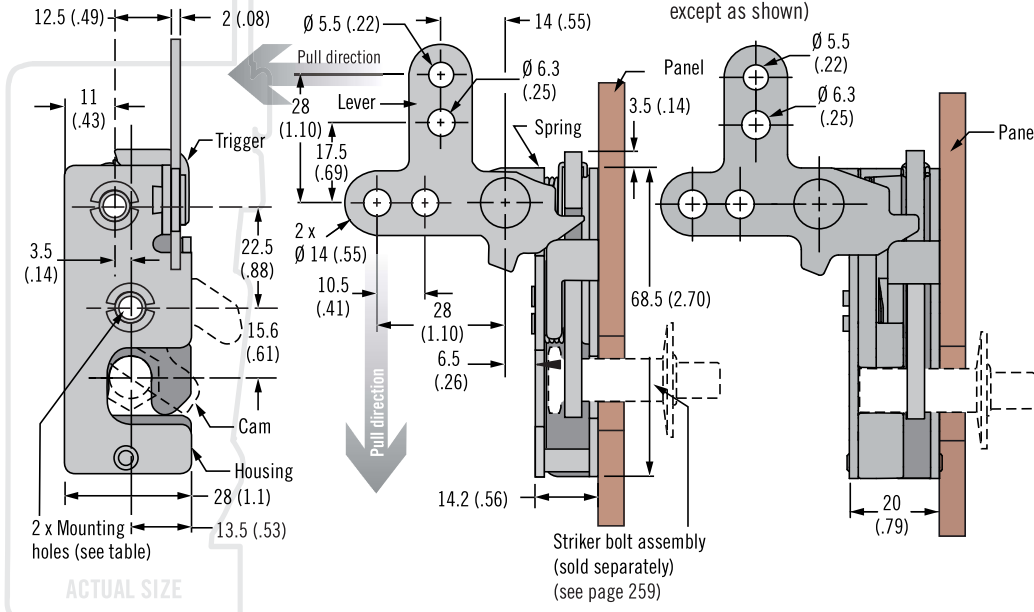




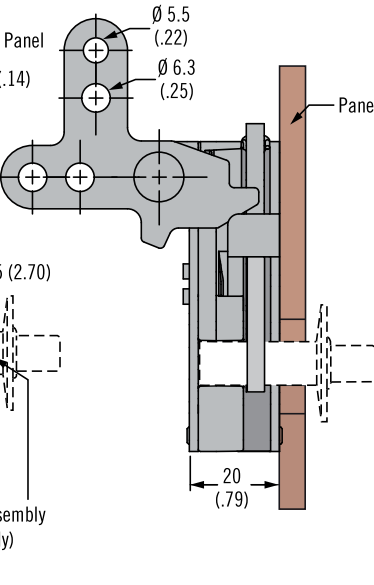
R4 Rotary Latch

Light-Duty · Concealed · Single and two stage

Single Stage - Two Point (left hand actuation shown)



Integrated Bumper Version (dimensions same as standard version except as shown)



- Compatible with wide array of actuators
- EN 45545-3 E60 Compliant (Standard version only)
- Integrated bumper version for anti-vibration feature

Material and Finish

Steel, zinc plated or 304 stainless steel, passivated

Accessories

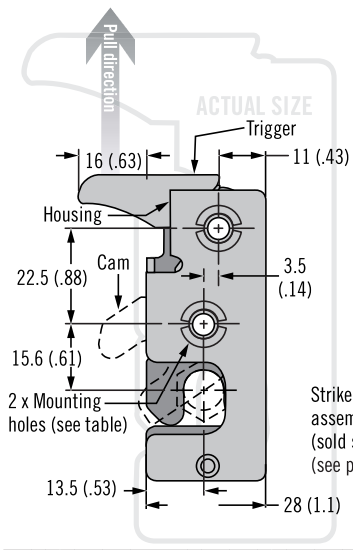
Striker bolts for standard version and integrated bumper version are different. See page 297 for both versions.

Cables and retainer clips see page 322-323

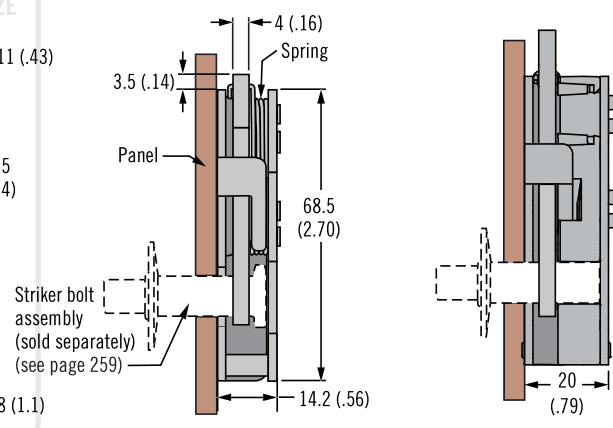
Notes

Electromechanical rotary latch available see page 20

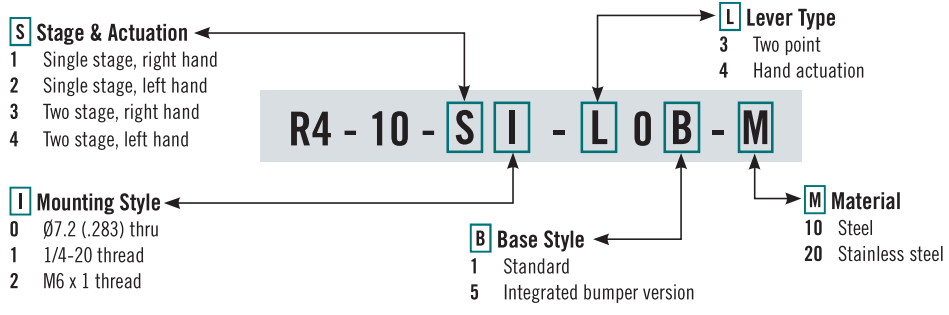
Single Stage - Hand Actuation



Integrated Bumper Version (dimensions same as standard version except as shown)



Part Number Selection



Dimensions in millimeters (inch) unless otherwise stated

www.southco.com/R4