



R4 Rotary Latch

Light-Duty · Concealed · Single and two stage

- Compatible with wide array of actuators
- EN 45545-3 E60 Compliant (Standard version only)
- Integrated bumper version for anti-vibration feature

Material and Finish

Steel, zinc plated or 304 stainless steel, passivated

Accessories

Striker bolts for standard version and integrated bumper version are different. See page 297 for both versions.

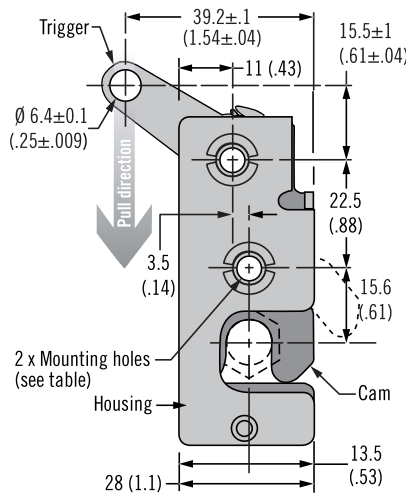
Cables and retainer clips see pages 322-323

Notes

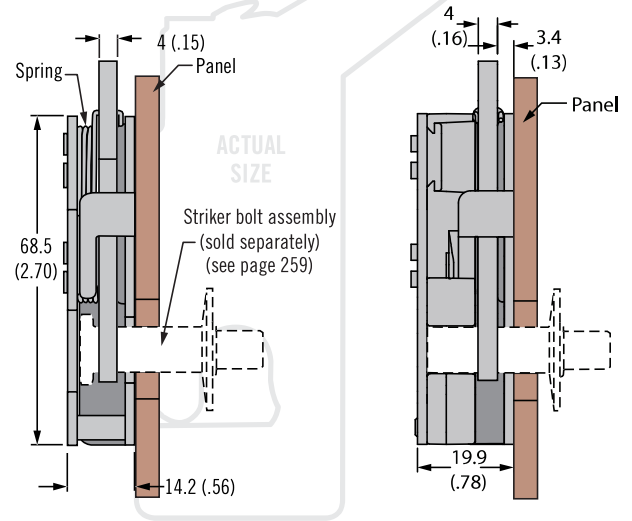
Electromechanical rotary latch available see page 20

For electrical actuation option see page 43

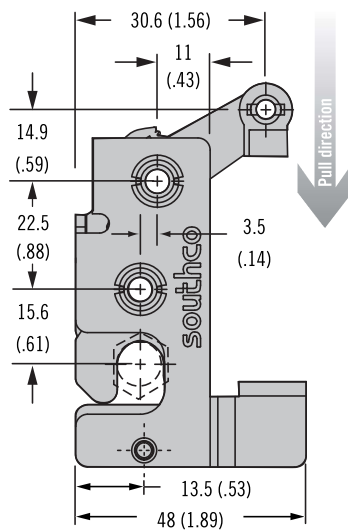
Single Stage - Bottom (left hand actuation shown)



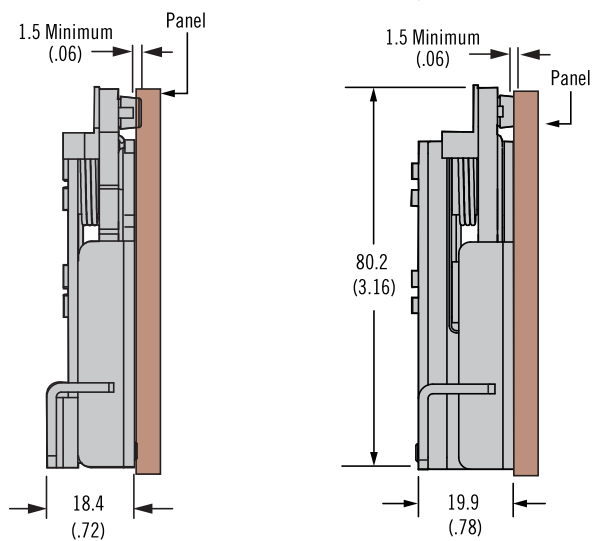
Integrated Bumper Version (dimensions same as standard version except as shown)



Single Stage - Bottom with Cable Bracket (Right hand actuation shown)



Integrated Bumper Version (dimensions same as standard version except as shown)



Part Number Selection

R4 - 10 - S I - 5 0 B - M

S Stage & Actuation

- 1 Single stage, right hand
- 2 Single stage, left hand
- 3 Two stage, right hand
- 4 Two stage, left hand

I Mounting Style

- 0 Ø7.2 (.283) thru
- 1 1/4-20 thread
- 2 M6 x 1 thread

B Base Style

- 1 Standard
- 2 Standard with cable bracket
- 5 Integrated bumper
- 6 Integrated bumper with cable bracket

M Material

- 10 Steel
- 20 Stainless steel