



# R4 Rotary Latch

Light-duty · Concealed · Dual Trigger · Single and two stage

- Direct actuation, no cable or rod required
- Integrated bumper version for anti-vibration feature
- EN 45545-3 E60 Compliant (Standard version only)

### Material and Finish

Steel, zinc plated or 304 stainless steel, passivated

### Accessories

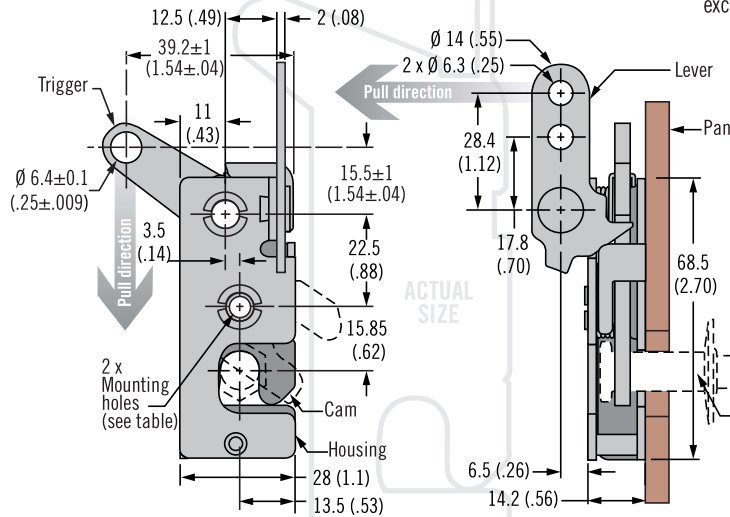
Striker bolts for standard version and integrated bumper version are different. See page 297 for both versions.

### Notes

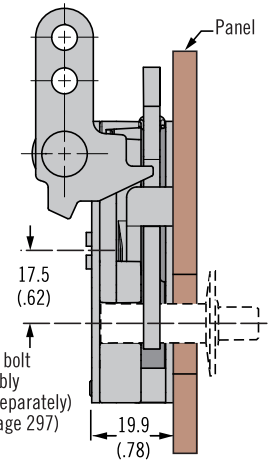
Electromechanical rotary latch available see page 20

For electrical actuation option for bottom lever designs, see page 43

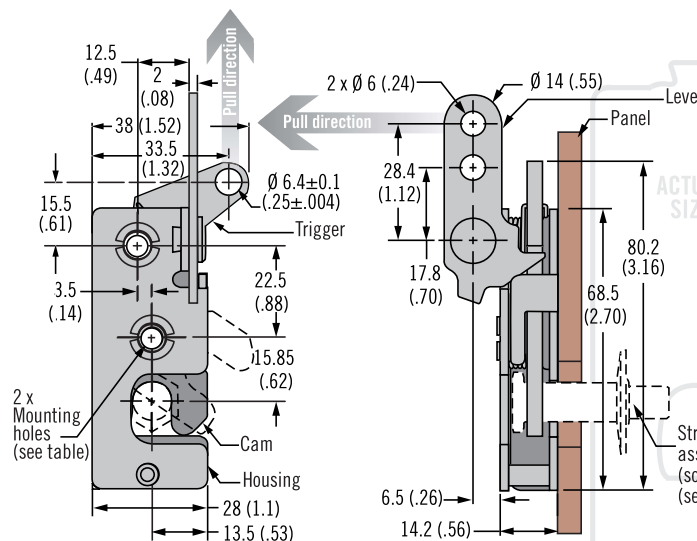
### Single Stage - Dual Trigger - Bottom (left hand actuation shown)



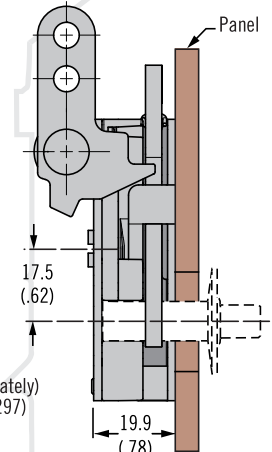
### Integrated Bumper Version (dimensions same as standard version except as shown)



### Single Stage - Dual Trigger - Top (left hand actuation shown)



### Integrated Bumper Version (dimensions same as standard version except as shown)



### Part Number Selection

**S** Stage & Actuation

- 1 Single stage, right hand
- 2 Single stage, left hand
- 3 Two stage, right hand
- 4 Two stage, left hand

**L** Lever Type

- 7 Dual trigger, bottom
- 8 Dual trigger, top

**I** Mounting Style

- 0  $\varnothing 7.2$  (.283) thru
- 1 1/4-20 thread
- 2 M6 x 1 thread

**B** Base Style

- 1 Standard
- 5 Integrated bumper version

**M** Material

- 10 Steel

**R4 - 10 - S I - L 0 B - M**