



R4 Rotary Latch

Heavy-Duty · Concealed · Single and two stage

- Compatible with wide array of actuators
- FMVSS 206 capable options
- EN 45545-3 E60 compliant (Standard version only)
- Integrated bumper version for anti-vibration feature

Material and Finish

- Steel, zinc plated
- Steel, zinc nickel plated (black and clear)
- Stainless steel, passivated

Accessories

Cables and retainer clips see pages 322-323

Striker options see page 301

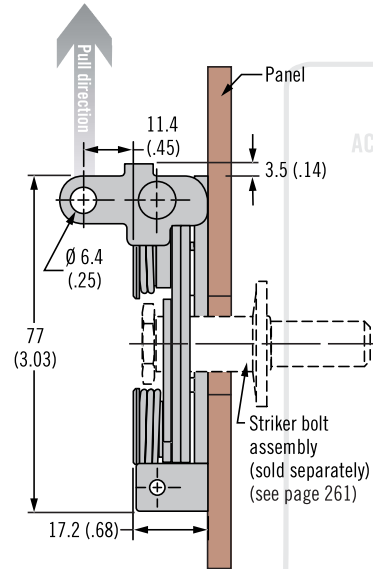
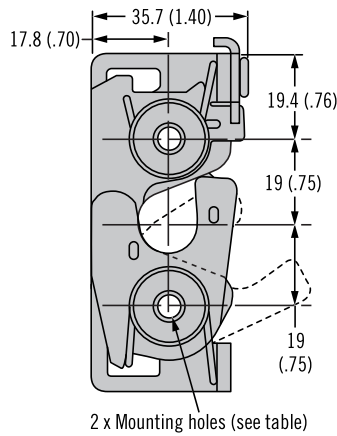
Notes

R4-38-101-10 support plate sold separately for FMVSS 206 capability

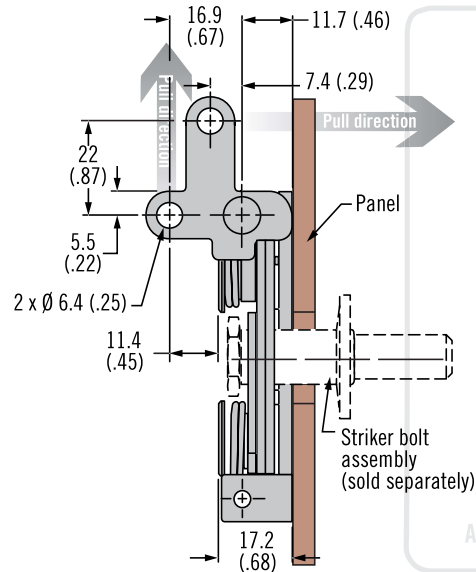
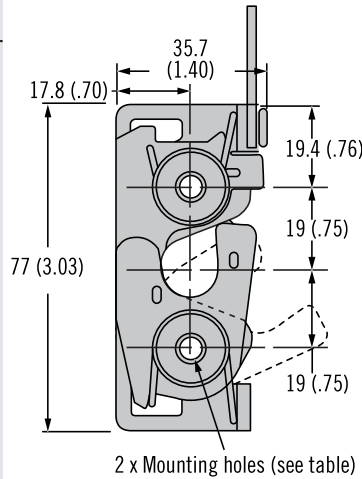
Mounts opposite of latch housing.



Perpendicular (left hand actuation shown)



2-Point Actuator (left hand actuation shown)



Part Number Selection

S Stage & Actuation

- 1 Single stage, right hand
- 2 Single stage, left hand
- 3 Two stage, right hand
- 4 Two stage, left hand

I Mounting Style

- 0 ϕ 6.7 (.283) thru
- 1 1/4-20 thread
- 2 M6 x 1 thread

1 Base Style

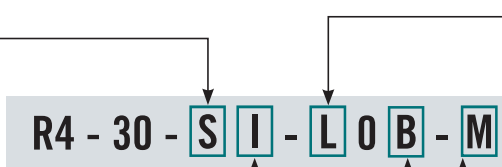
- 1 Standard
- 5 Integrated bumper

L Lever Type

- 1 Perpendicular
- 3 Two point
- 7 Dual Lever, Bottom & Perpendicular

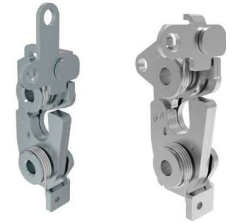
M Material

- 10 Steel, zinc plated
- 15 Steel, black zinc nickel
- 77 Steel, clear zinc nickel
- 20 Stainless steel

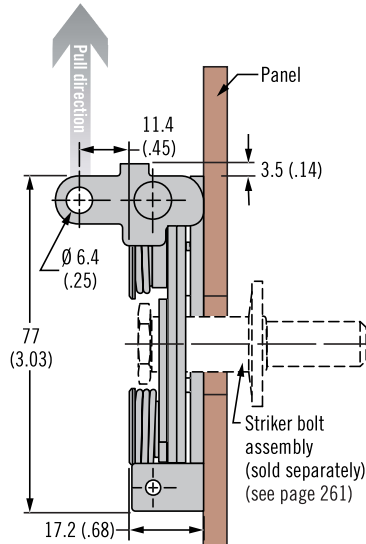
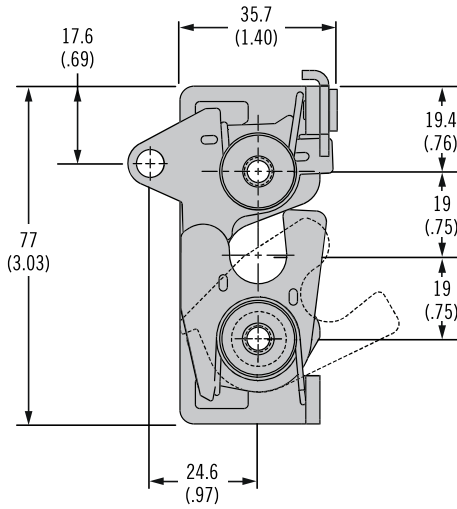


R4 Rotary Latch

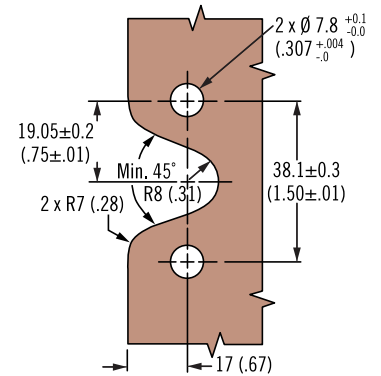
Heavy-Duty · Concealed · Single and Two stage



Dual Trigger (left hand actuation shown)



Panel Preparation



Strikers (sold separately)

Striker Bolt Part Number	
Part Number	Material
R4-90-321-10	Steel
R4-90-321-20	Stainless Steel

Protected Striker	
Part Number	Material
R4-90-1005-10	Steel
*Not FMVSS 206 Capable	

