



R4 Rotary Latch

Heavy-Duty · Concealed · Single and two stage

- Compatible with wide array of actuators
- FMVSS 206 capable options
- EN 45545-3 E60 compliant (Standard version only)
- Integrated bumper version for anti-vibration feature

Material and Finish

Steel, zinc plated
 Steel, zinc nickel plated (black and clear)
 Stainless steel, passivated

Accessories

Cables and retainer clips see pages 322-323

Striker options see page 301

Notes

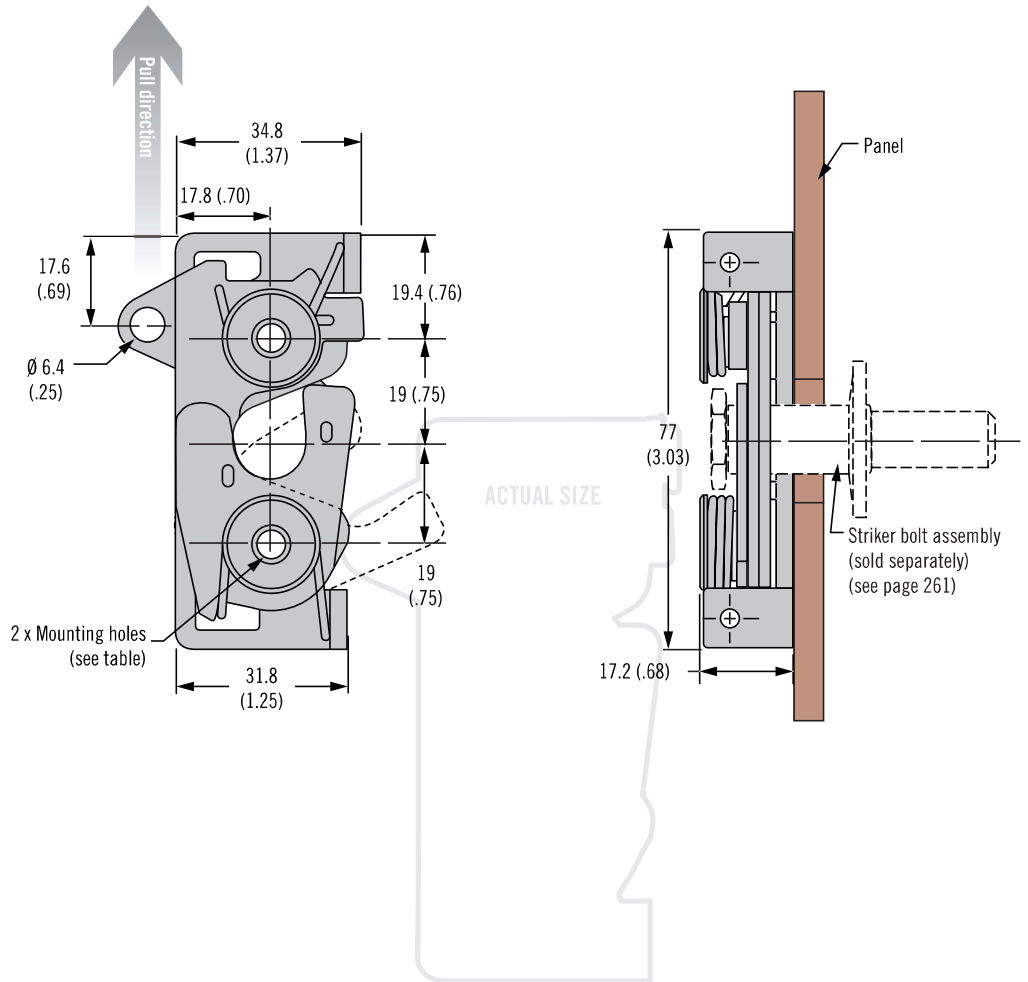
R4-38-101-10 support plate sold separately for FMVSS 206 capability
 Mounts opposite of latch housing.



Part Number Selection

Bottom

(left hand actuation shown)



S Stage & Actuation

- 1 Single stage, right hand
- 2 Single stage, left hand
- 3 Two stage, right hand
- 4 Two stage, left hand

I Mounting Style

- 0 Ø6.7 (.283) thru
- 1 1/4-20 thread
- 2 M6 x 1 thread

1 Base Style

- 1 Standard
- 2 Standard with cable bracket for spring
- 3 Standard with cable bracket no spring
- 5 Integrated bumper
- 6 Integrated bumper with cable bracket for spring
- 7 Integrated bumper with cable bracket no spring

M Material

- 10 Steel, zinc plated
- 15 Steel, black zinc nickel plated
- 77 Steel, clear zinc nickel plated
- 20 Stainless steel

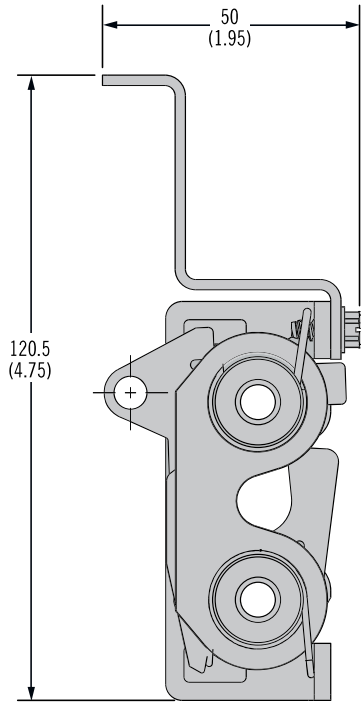
R4 - 30 - S I - 50 B - M

R4 Rotary Latch

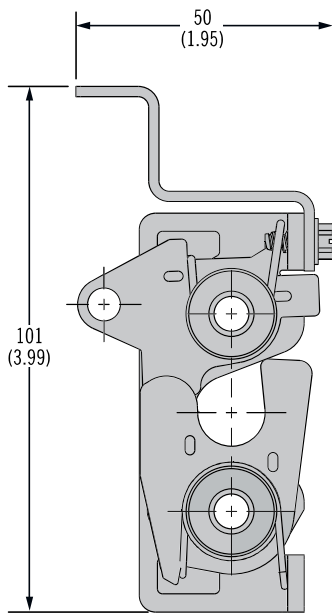
Heavy-Duty · Concealed · Single and two stage

Bottom with cable bracket

(left hand actuation shown)



(with bumper shown)



(without bumper shown)

