



R4 Rotary Latch

Heavy-duty · Two stage

- Single or multi-point latch capability
- Compatible with a wide array of actuators
- FMVSS 206 capable
- EN 45545-3 E60 compliant

Material and Finish

Steel, zinc plated

Accessories

Cables and retainer clips see pages 322-323

Notes

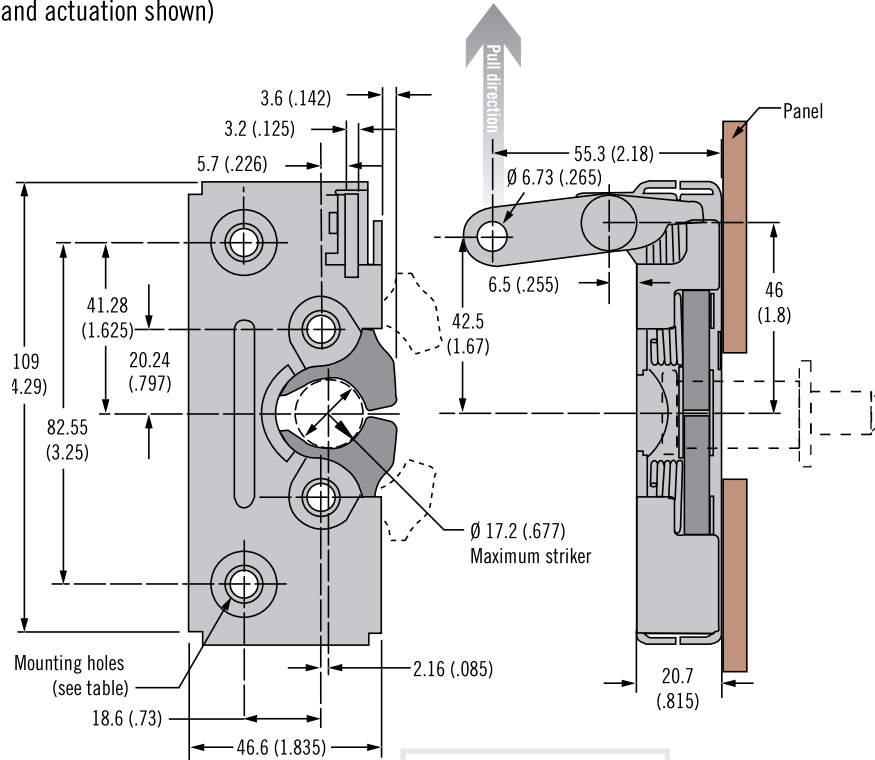
Electromechanical rotary latches available see page 20

For panel preparation visit www.southco.com/R4

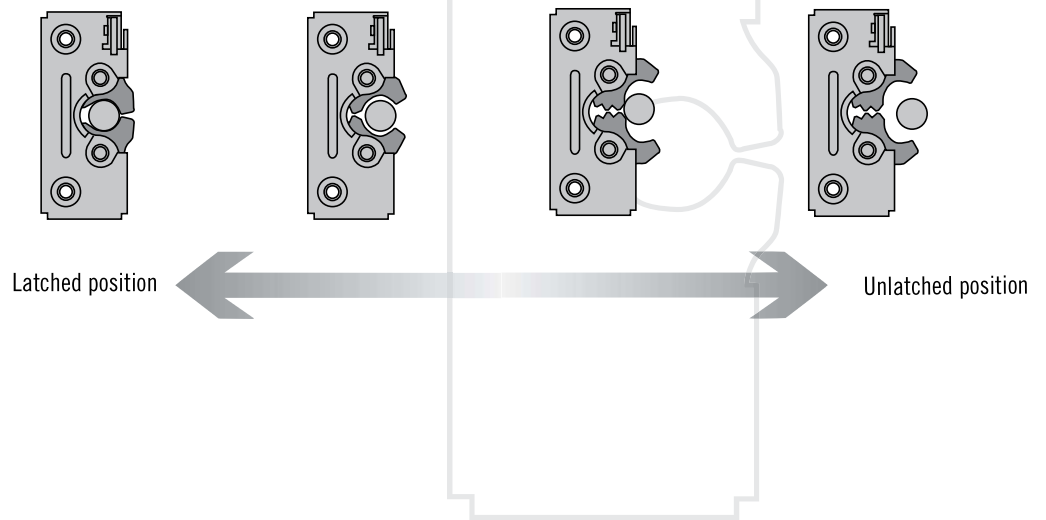
Striker Bolt Assembly (sold separately): R4-90-441-10

Single Trigger, Perpendicular Actuation

(left hand actuation shown)



Operation





Part Number Selection

Mounting Style	Part Number		
	Left Hand Actuation	Right Hand Actuation	Striker Bolt
Ø 7.2 (.283) Thru	R4-50-40-101-10	R4-50-30-101-10	R4-90-441-10
1/4-20 Thread	R4-50-41-101-10	R4-50-31-101-10	
M6 X 1 Thread	R4-50-42-101-10	R4-50-32-101-10	

Striker Bolt Assembly (sold separately)

