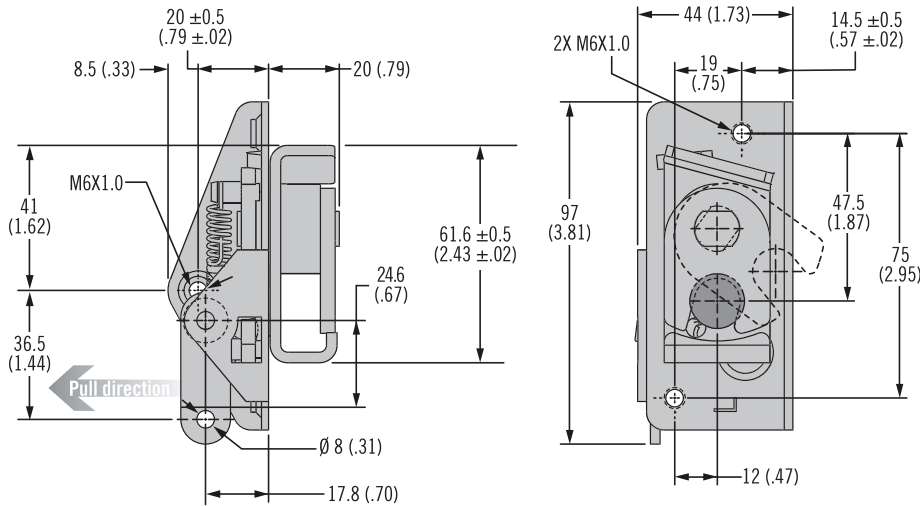


R4 Rotary Latch

Medium · Concealed · Debris Resistant · Two stage



Two Stage (Left hand actuation shown)



- Compatible with a wide array of actuators
- Debris resistant concealed mounting
- Two stage latching

Material and Finish

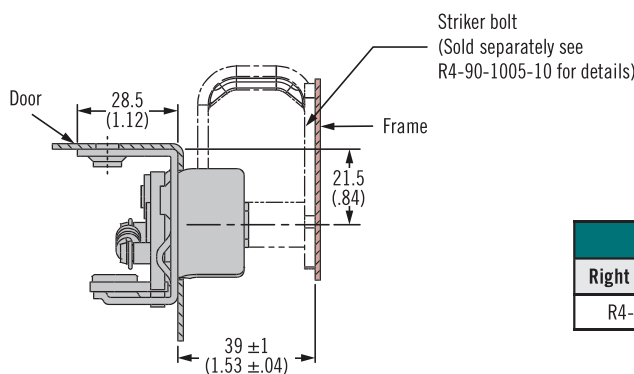
Steel, zinc plated

Accessories

Retainer clip AC-9BX-20-34
see page 323

Notes

Electromechanical rotary latch available see page 20

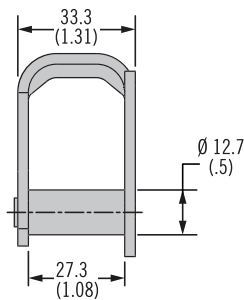
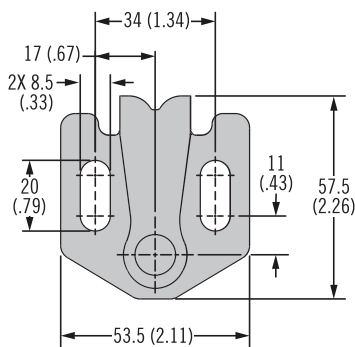


Part Number	
Right Hand Actuation	Left Hand Actuation
R4-75-32-201-10	R4-72-42-201-10

Part Number

See table

Order latch and striker separately



Protected Striker	
Part Number	Material
R4-90-1005-10	Steel