



R4-81 Rotary Paddle Latch

Pull-to-open

- Rear mount installation
- Direct actuation, no cable or rod required
- Single or two stage latching
- Integrated bumper option
- Environmentally sealed

Material and Finish

Housing: Glass-filled nylon, black

Paddle: Zinc alloy, black powder coated or chrome plated

Installation Notes

Maximum tightening torque on supplied mounting nuts 3 N·m (27 in·lbf)

Accessories

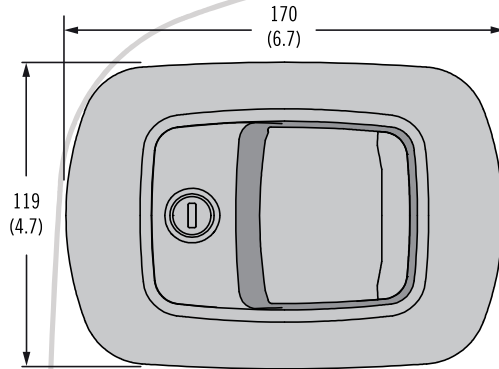
Striker bolt see page 297

Notes

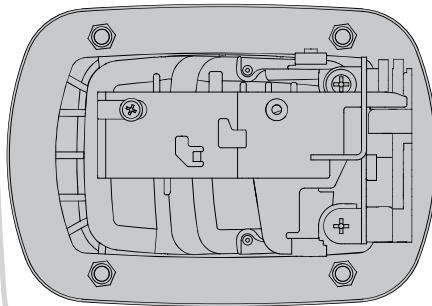
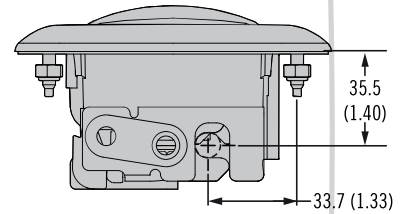
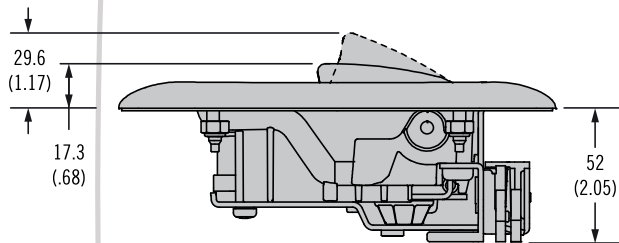
For lock core selection and a complete overview of the *SOUTHCO*® Key-Choice System see page 190

Part Number

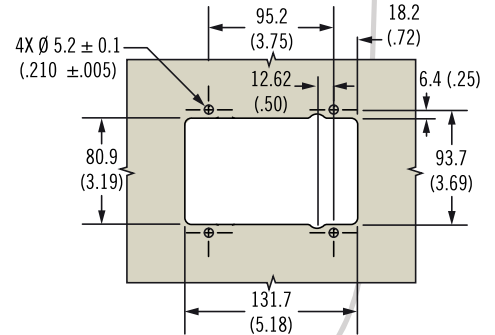
See table



ACTUAL SIZE



Panel Preparation



Maximum Door Thickness - 8 (.32)

- S** Stage & Bumper
- 2 Single Stage
 - 4 Two Stage
 - 6 Single Stage with Integrated Bumper
 - 8 Two Stage with Integrated Bumper

- PP** Paddle Finish
- 30 Chrome, polished
 - 50 Black powder coated

R4 - 81 - S L 1 - PP - KC

- L** Locking Options
- 1 Reversible Key (No Keys - R001)
 - 2 Reversible Key (2 Keys included - R001)
 - 3 Reversible Key (2 keys included - Keyed differently)
 - 4 Standard Key (No keys - CH751)
 - 5 Standard Key (2 Keys included - CH751)
 - 6 Standard Key (2 keys included - Keyed differently)
 - 9 No Lock Plug installed (See notes for more information)

- KC** Key Codes
- (Omit for Locking Options 1, 2, 4, 5 and 9)
- ***KD10** Keyed Differently (Only used if **L**=3 or 6)
 - ***MK10** Master Keyed Differently (Only used if **L**=6)

*Supplied in multiples of 10 with 10 different key codes.