



AV Series Dynamic Mounting Arm

Tilt and swivel · Single arm · Non-locking · Locking

- **Intuitive grab and move operation enhances the user experience**

No knobs or tools required to reposition the monitor

Precise control of operating effort ensures ideal “feel” and eliminates “drift”

Holds securely, even in applications with dynamic loading

- **Locking mechanism in stowed position**

- **Low profile in the stowed position**

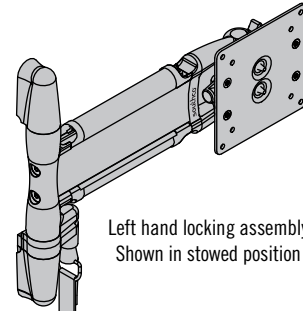
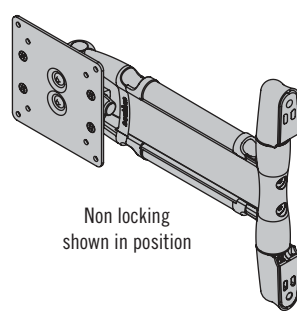
Folds to within 50 mm of the wall

- **Snap-open channels simplify wire management**

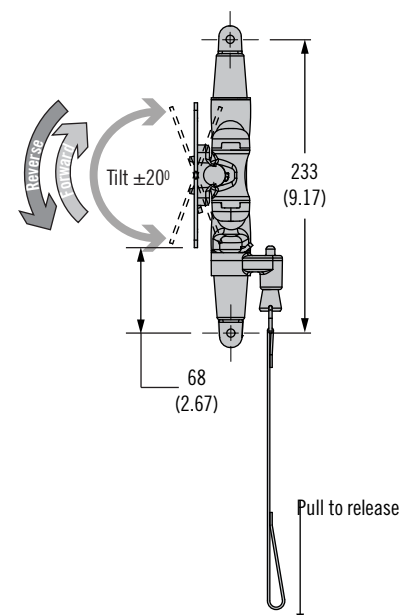
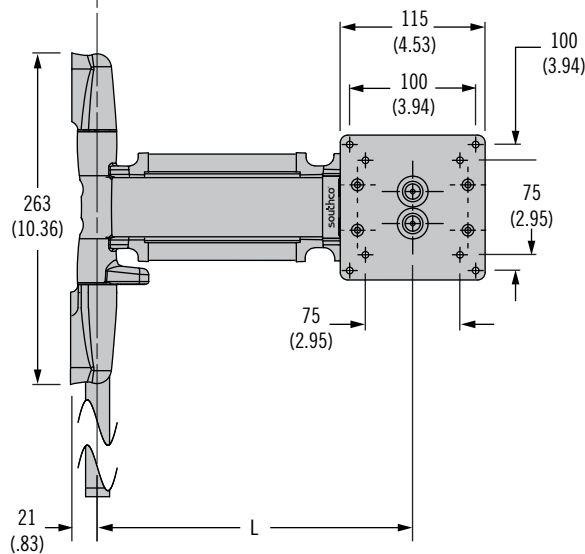
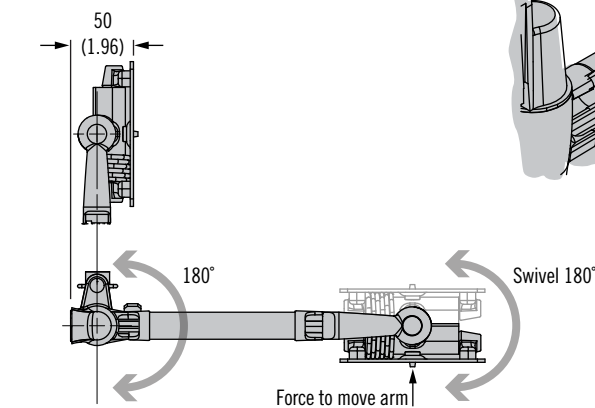
Easy monitor installation and replacement

- **Factory assembled and ready for use**

Product Detail



Wire channel in open position.



AV Series Dynamic Mounting Arm

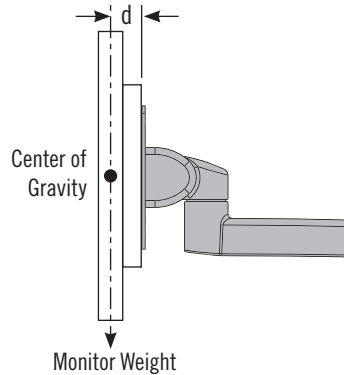
Tilt and swivel · Single arm · Non-locking · Locking



Specification and Selection

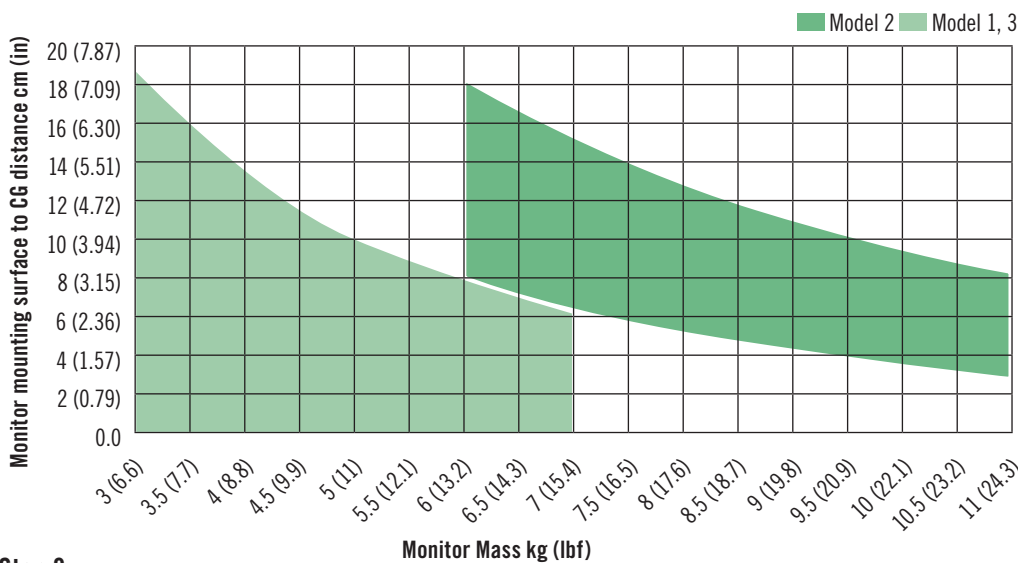
Step 1

Determine monitor weight and distance (d) from mounting surface to center of gravity.



Step 2

Use chart below to select model (1, 2 or 3).



Step 3

Complete part number by selecting length and color options below.

AV - D30 - **K** A **L** 10 **S** - **F**

K	Length (L)	Average ultimate load N (lbf)
15	150 (5.9)	2000 (450)
25	250 (9.8)	1200 (270)
35	350 (13.8)	850 (190)
45	450 (17.7)	660 (150)

F	Color
50	Black
76	White

L	Rotational Lock
C	Left hand locking
R	Right hand locking
Omit	Non locking

Model S	Force to move arm N (lbf)	Tilt Torque N·m (in lbf)		Swivel Torque N·m (in lbf)
		Reverse	Forward	
1	22.2 (5)	7.9 (70)	1.13 (10)	2.3 (20)
2	33.8 (7.6)	15.4 (136)	2.26 (20)	3.4 (30)
3	33.8 (7.6)	8.6 (76)	6.0 (53)	3.4 (30)

- Smooth operation enhances the user experience
- Adjust the monitor without knobs or tools
- Holds securely in every position

Material and Finish

Aluminum alloy, powder coated

Performance Details

Cycle performance: 20,000 cycles within ± 20% of static torque specification

Max. dynamic working load:

Model 1, 3: 66 N (15 lbf)

Model 2: 98 N (22 lbf)

Average ultimate load: See table

Part Number

See table

Part Number Example

AV-D30-25AC101-50 = Dynamic mounting arm, Model 1, 250 mm Length, black, locking

Southco Performance and Application Guidelines are supplied as general guides only, as conditions vary with each application and installation method. Represented cycle performance is not a guarantee of reliability under actual usage conditions in end user product applications. Users must test potential product solutions under the actual application conditions and environment to determine suitability of the product for the purpose and function intended by the user and to assure desired performance.

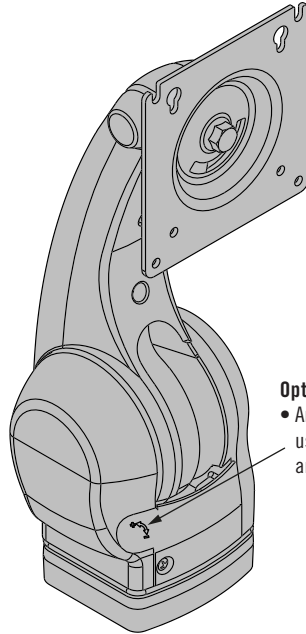


AV Series Dynamic Mounting Arm

Tilt and swivel · Height adjustment · Single arm

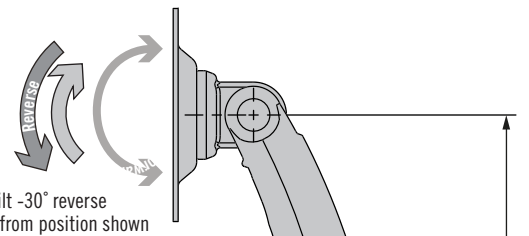
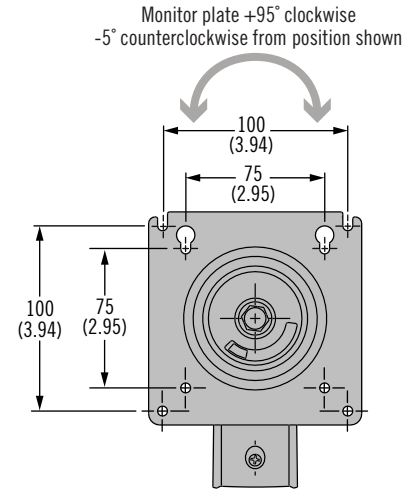
- Intuitive grab and move operation enhances the user experience**
 No knobs or tools required to reposition the monitor
 Precise control of operating effort ensures ideal “feel” and eliminates “drift”
- Screw-fit covers to secure cables**
 Easy monitor installation and replacement
- Factory assembled and ready for use**

Product Detail

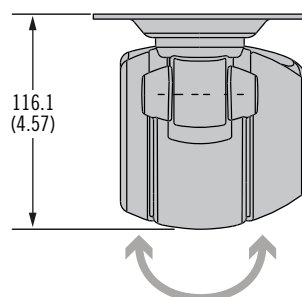
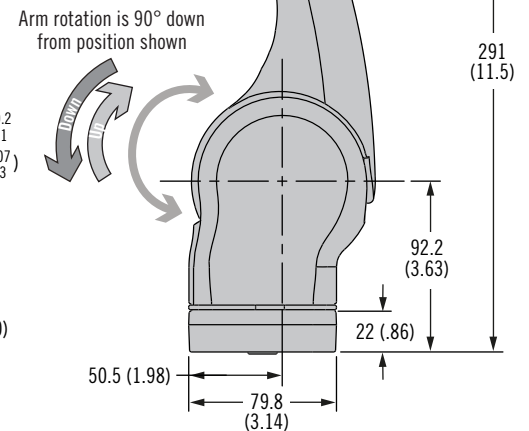
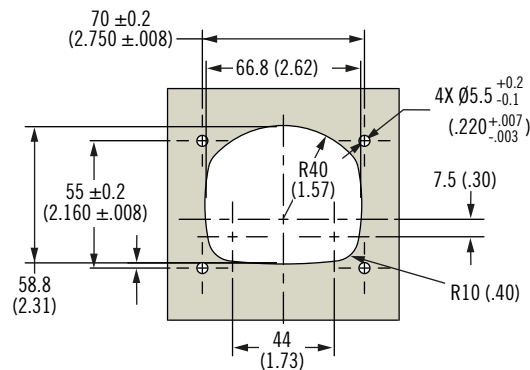


Optional adjustable version

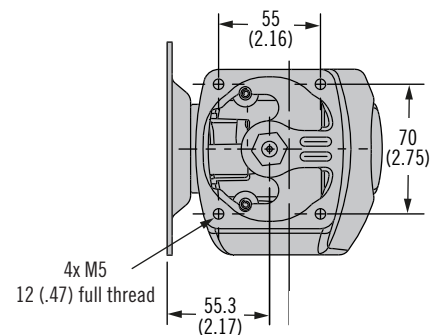
- Arm counterbalance adjustment using 8mm hex key inside lower arm front cover



Panel Preparation



Arm swivel to base ±90° from position shown



Dimensions in millimeters (inch) unless otherwise stated

AV Series Dynamic Mounting Arm

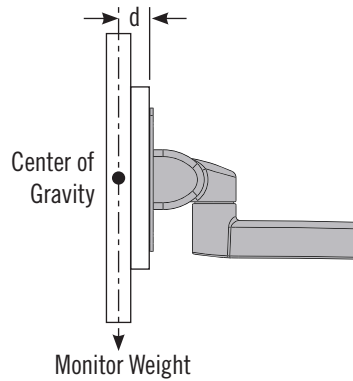
Tilt and swivel · Height adjusting · Single arm



Specification and Selection

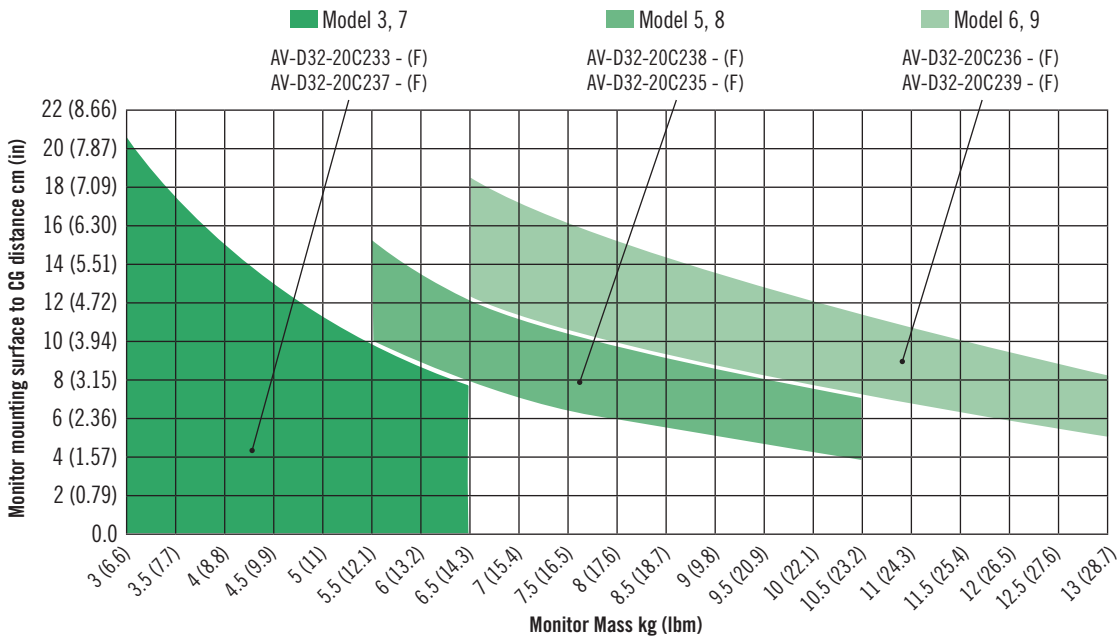
Step 1

Determine monitor weight and distance (d) from mounting surface to center of gravity.



Step 2

Use chart below to select model



Step 3

Complete part number by selecting adjustment type and color options below.

Model [S]	Adjustable	Monitor mass kg (lbm)	Tilt Torque N-m (in lbf)		Swivel Torque N-m (in lbf)
			Reverse	Forward	
3	No	3.6 - 6.8 (8-15)	8.0 (70.8)	6.4 (56.9)	2.8 (24.8)
5	No	5.6 - 10.4 (12.3-22.9)	11.3 (100.5)	8.5 (75.2)	
6	No	6 - 13 (13.2 - 22.9)	14.7 (130)	10.5 (93.6)	
7	Yes	Max 6.8 (15)	8.0 (70.8)	6.4 (56.9)	
8	Yes	Max 10.4 (22.9)	11.3 (100.5)	8.5 (75.2)	
9	Yes	Max 13 (28.7)	14.7 (130)	10.5 (93.6)	

AV - D32 - 20C23 [S] - [F]

[F]	Color
50	Black
76	White

- Smooth operation enhances the user experience
- Adjust the monitor without knobs or tools
- Holds securely in every position

Material and Finish

Aluminum alloy, powder coated steel & polymer components

Performance Details

Cycle performance: 20,000 cycles within ± 20% of static torque specification

Max. dynamic working load:

See part table

Ultimate load:

1181N (265 lbm) downward

540N (121 lbm) upward

Part Number

See table



AV Series Dynamic Mounting Arm

Tilt and swivel · Single arm · Height Adjusting

- **Intuitive grab and move operation enhances the user experience**

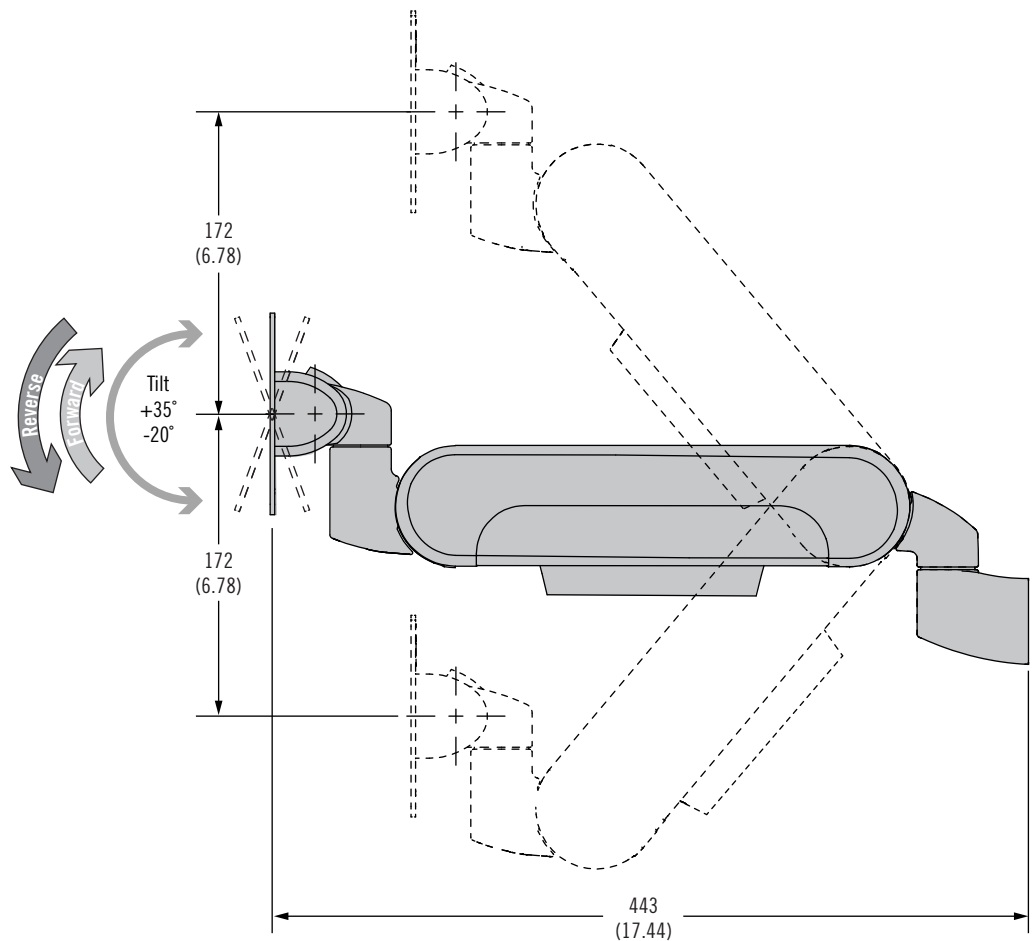
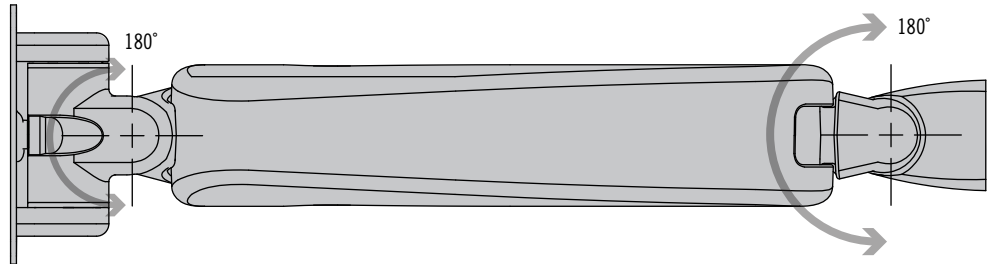
No knobs or tools required to reposition the monitor

Precise control of operating effort ensures ideal “feel” and eliminates “drift”

Holds securely, even in applications with dynamic loading

- **Consistent repeatable operation**
- **Fully enclosed for optimum cleanability**
- **Snap-open channels simplify wire management**
- **Factory assembled and ready for use**

For mounting options and installation detail please refer to pages 84-85



AV Series Dynamic Mounting Arm

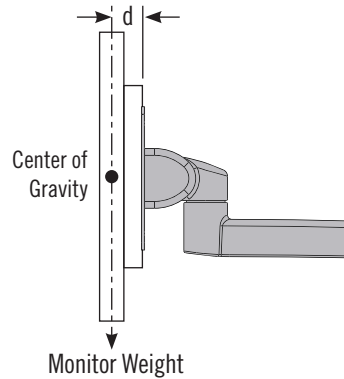
Tilt and swivel · Single arm · Height Adjusting



Specification and Selection

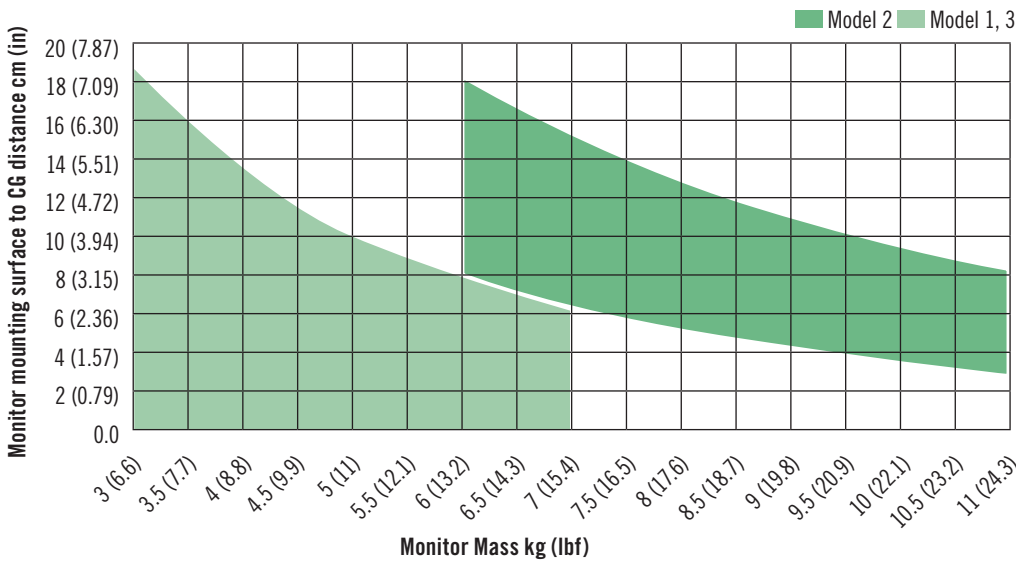
Step 1

Determine monitor weight and distance (d) from mounting surface to center of gravity.



Step 2

Use chart below to select model (1, 2 or 3).



Step 3

Complete part number by selecting model and color options below.

AV - D32 - 30V1 **K** **S** - **F**

K	Mounting Style
0	Wall mount, rear, no wire notch
1	Wall mount, rear, with wire notch
2	Table mount, no wire notch
3	Table mount, with wire notch
4	Wall mount, Front
6	Pole mount (35-38mm Pole)
7	Rail mount

F	Color
50	Black
76	White

S	Monitor Size
1	Small monitor, easiest positioning
3	Small monitor, extra holding force
2	Medium monitor

Material and Finish

Aluminum alloy, powder coated

Performance Details

Cycle performance: 20,000 cycles.

Swivel Torque:

At Device Mount: 4.3 N-m (38 in-lbf)

At Wall Mount: 6.0 N-m (53 in-lbf)

Average ultimate load:

665N (150lbf)

See trade drawing for details.

Part Number Example:

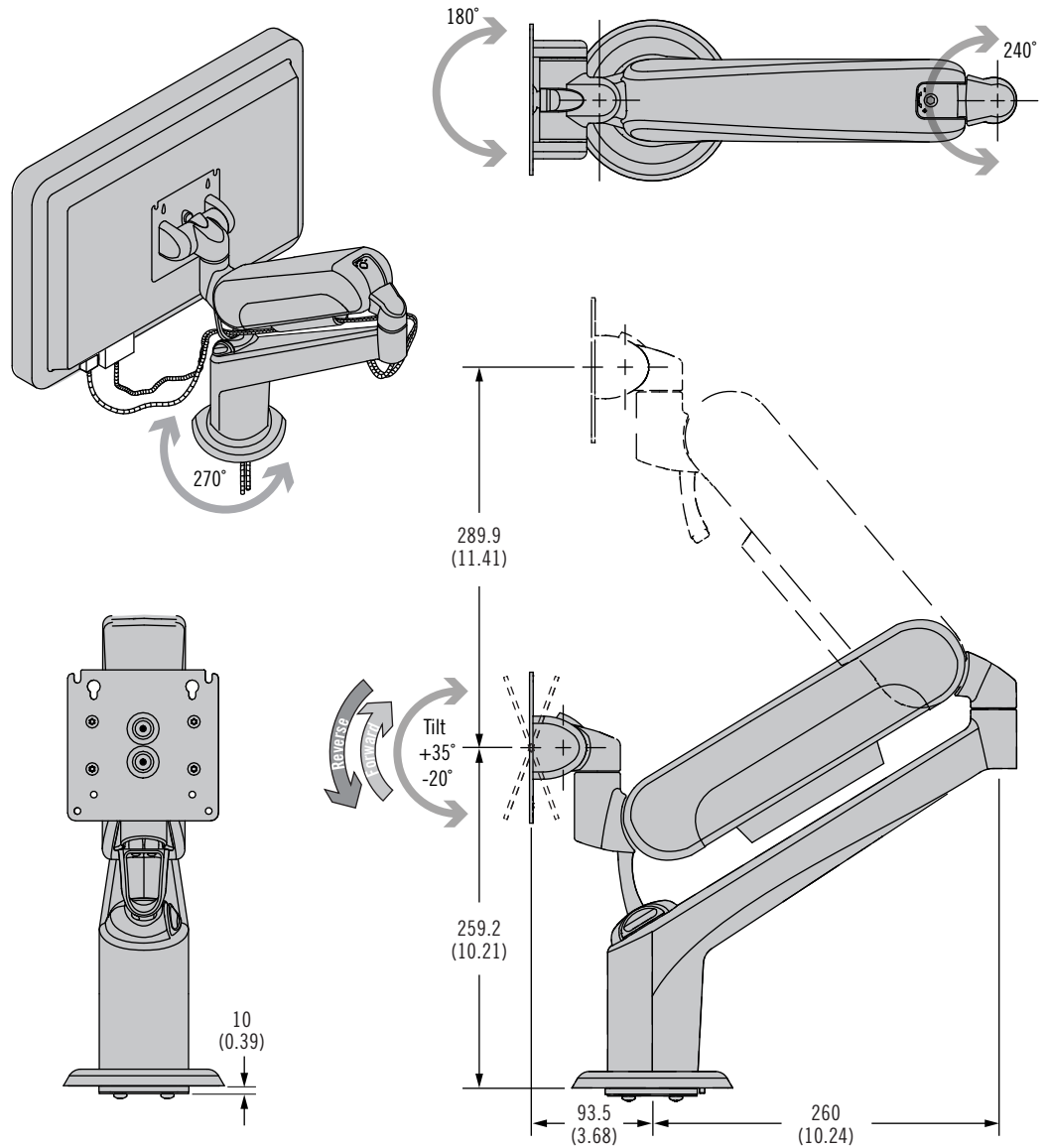
AV-D32-30V101-50 = Single Arm, Model 1, wall mount, no wire notch, black



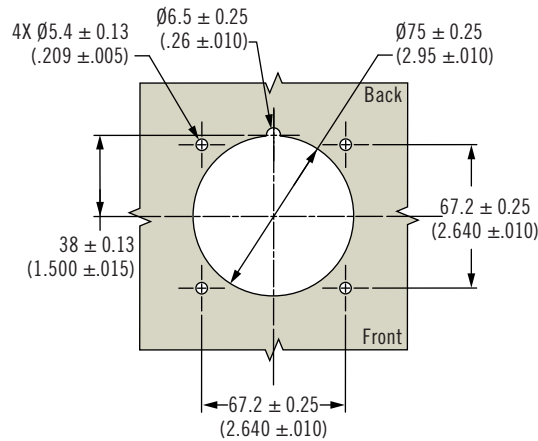
AV Series Dynamic Mounting Arm

Tilt and swivel · Double arm · Height Adjusting

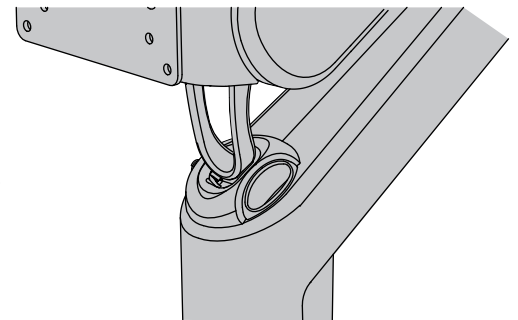
- Intuitive grab and move operation enhances the user experience**
 No knobs or tools required to reposition the monitor
 Precise control of operating effort ensures ideal “feel” and eliminates “drift”
 Holds securely, even in applications with dynamic loading
- Consistent repeatable operation**
- Fully enclosed for optimum cleanability**
- Snap-open channels simplify wire management**
- Factory assembled and ready for use**
- Optional locking mechanism in stowed position**



Panel Preparation



Optional Locking Mechanism



AV Series Dynamic Mounting Arm

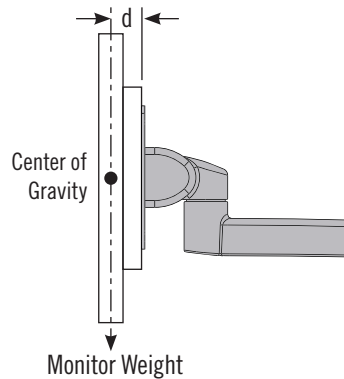
Tilt and swivel · Double arm · Height Adjusting



Specification and Selection

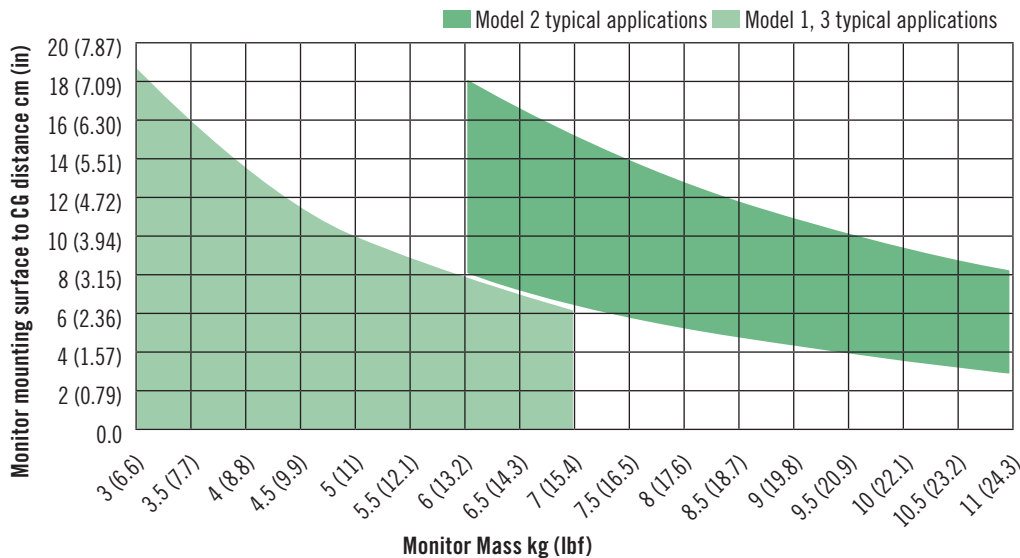
Step 1

Determine monitor weight and distance (d) from mounting surface to center of gravity.



Step 2

Use chart below to select model (1, 2 or 3).



Step 3

Complete part number by selecting model and color options below.

AV - D32-61 W **K** 13 **S** - **F**

Model	Tilt Torque N-m (in lbf)		Maximum Monitor Weight kg(lb)
	Reverse	Forward	
1	7.9 (70)	1.13 (10)	7 (15)
2	15.4 (136)	2.26 (20)	10 (22)
3	8.6 (76)	6.0 (53)	7 (15)

K	Optional Locking Mechanism
C	With Locking Mechanism
Omit	Non-Locking

F	Color
50	Black
76	White

Material and Finish

Aluminum alloy, powder coated

Performance Details

Cycle performance: 20,000 cycles.

Swivel Torque:

At Device Mount: 4.3 N-m (38 in-lbf)

At Center Joint: 6.0 N-m (53 in-lbf)

At Mounting Surface: 6.8 N-m (60 in-lbf)

Average ultimate load:

490N (110 lbf)

See trade drawing for details.

Part Number Example:

AV-D32-61WC131-50 = Model 1, locking, black



AV Series Dynamic Mounting Arm

Tilt and swivel · Double arm · Height Adjusting

- **Intuitive grab and move operation enhances the user experience**

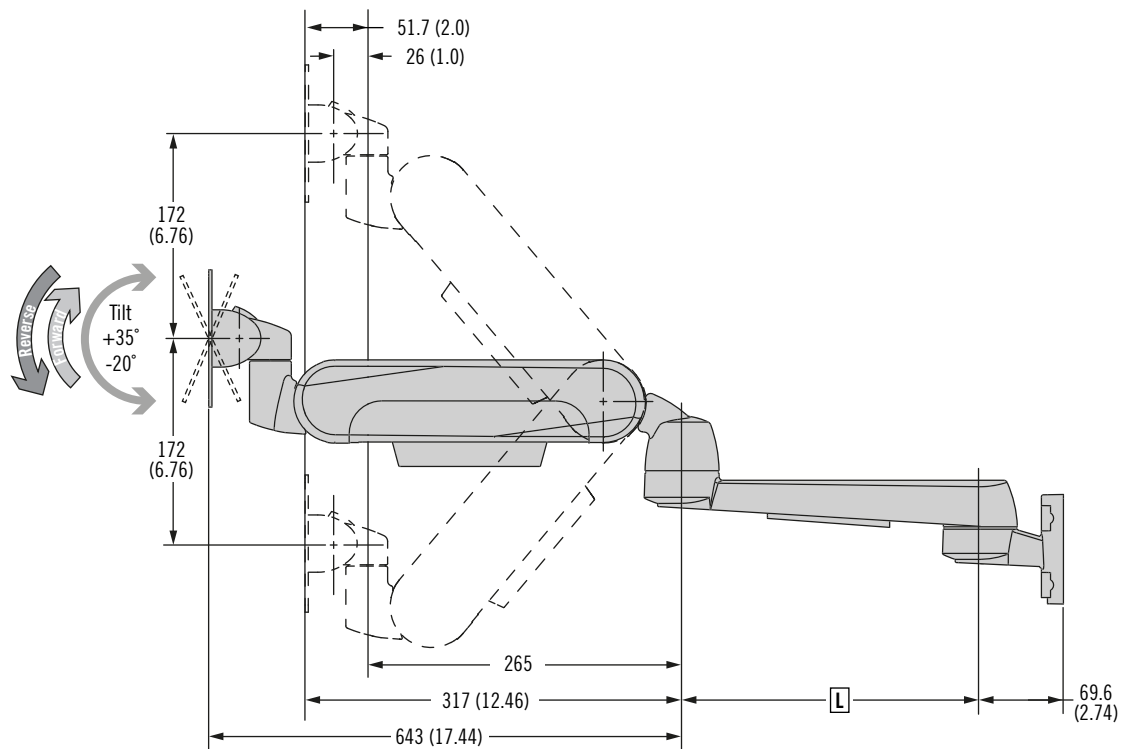
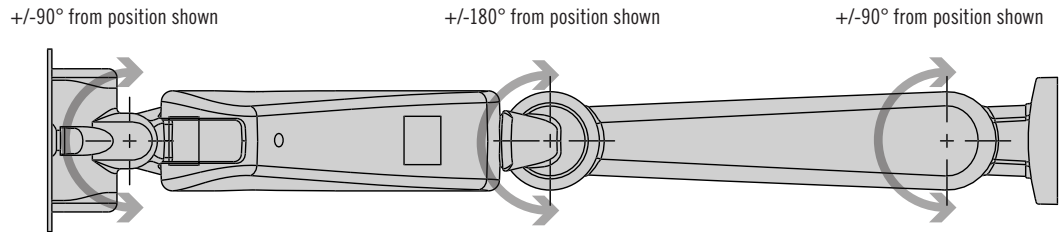
No knobs or tools required to reposition the monitor

Precise control of operating effort ensures ideal “feel” and eliminates “drift”

Holds securely, even in applications with dynamic loading

- **Consistent repeatable operation**
- **Fully enclosed for optimum cleanability**
- **Snap-open channels simplify wire management**
- **Factory assembled and ready for use**

For mounting options and installation detail please refer to pages 84-85



AV Series Dynamic Mounting Arm

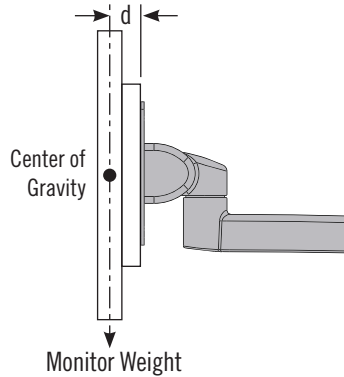
Tilt and swivel · Double arm · Height Adjusting



Specification and Selection

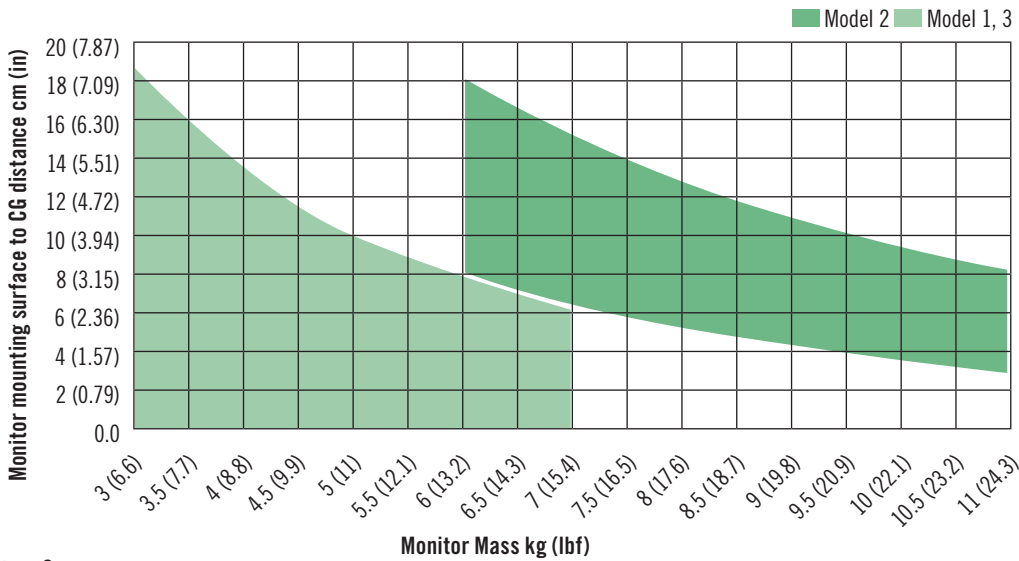
Step 1

Determine monitor weight and distance (d) from mounting surface to center of gravity.



Step 2

Use chart below to select model (1, 2 or 3).



Step 3

Complete part number by selecting model and color options below.

AV - D32 - L 1 K S - F

[L]	Length
72W	Height adjusting + 250mm lateral arm
79W	Height adjusting + 325mm lateral arm

[F]	Color
50	Black
76	White

[S]	Monitor Size
1	Small monitor, easiest positioning
3	Small monitor, extra holding force
2	Medium monitor

[K]	Mounting Style
4	Wall mount, Front
6	Pole mount (35-38mm Pole)
7	Rail mount

Material and Finish

Aluminum alloy, powder coated

Performance Details

Cycle performance: 20,000 cycles.

Swivel Torque:

At Device Mount: 4.3 N-m (38 in-lbf)

At Center Joint: 6.0 N-m (53 in-lbf)

At Mounting Surface: 6.0Nm (53in-lbf)

Average ultimate load:

490N (110 lbf)

See trade drawing for details.

Part Number Example:

AV-D32-72W141-50 = 250mm lower arm, Model 1, wall mount, black



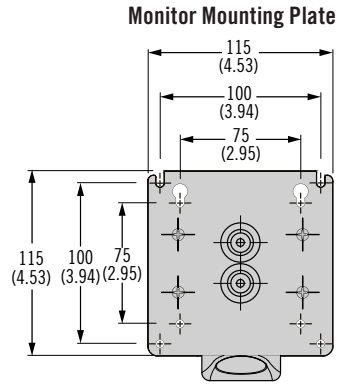
AV Series Dynamic Mounting Arm

Tilt and swivel · Single arm · Double arm · Mounting details

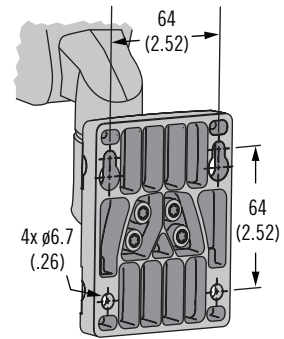
• Mounting details



Mounting Options



Wall mount front fastened K=4



Wall Mount, Rear Fastened K=0

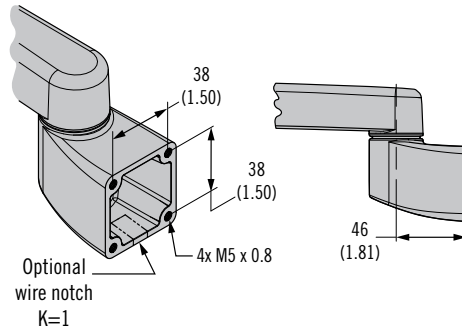
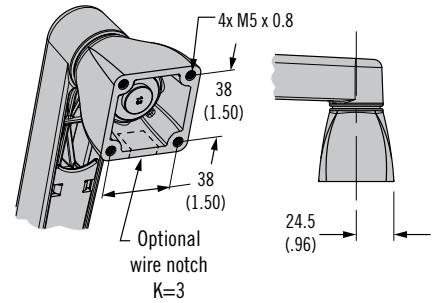
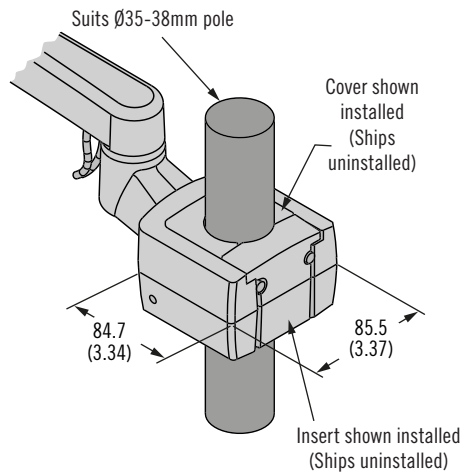


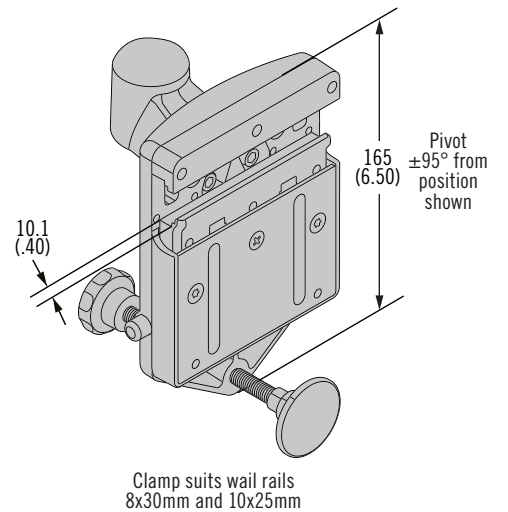
Table Mount K=2



Pole Mount K=6



Rail Mount K=7

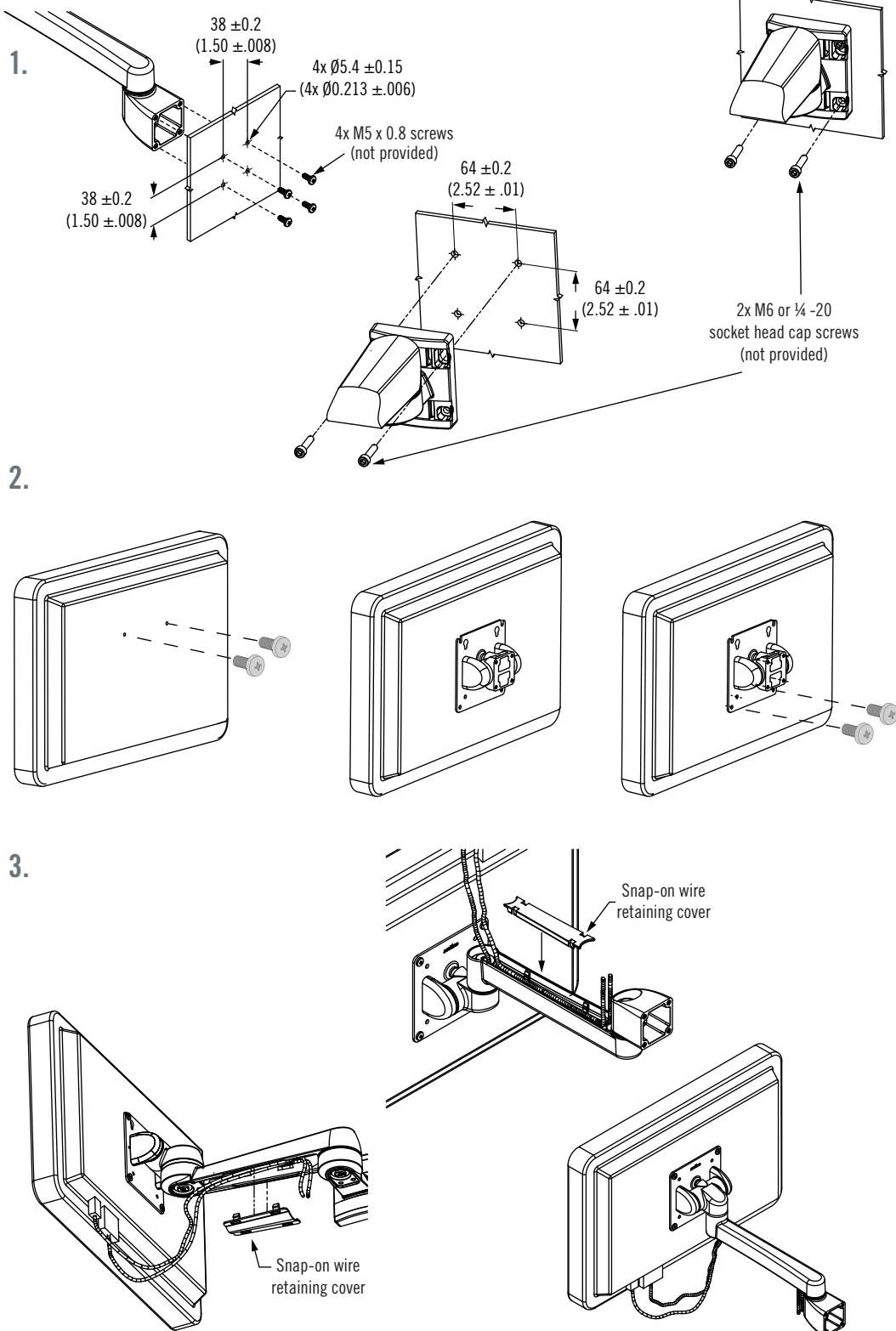


AV Series Dynamic Mounting Arm

Tilt and swivel · Single arm · Double arm · Installation details



Installation



• Mounting details

