

**Material**

High impact resistant thermoplastic

**Standard colour**

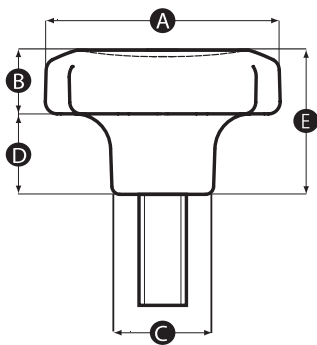
Black

**Finish**

Matt

**Thread material**

Zinc plated steel or stainless steel



Part No.	A	B	C	D	E	Thread size	Thread length	Thread material
16469P	30	10	13	11	21	M5	10	Zinc plated Steel
16470W	30	10	13	11	21	M5	16	Zinc plated Steel
16471S	30	10	13	11	21	M5	20	Zinc plated Steel
16472Z	30	10	13	11	21	M5	30	Zinc plated Steel
16473V	30	10	13	11	21	M5	40	Zinc plated Steel
16474R	30	10	13	11	21	M5	10	Stainless Steel
16475Y	30	10	13	11	21	M5	16	Stainless Steel
16476U	30	10	13	11	21	M5	20	Stainless Steel
16477Q	30	10	13	11	21	M5	30	Stainless Steel
16478X	30	10	13	11	21	M5	40	Stainless Steel
16479T	30	10	13	11	21	M6	10	Zinc plated Steel
16480P	30	10	13	11	21	M6	16	Zinc plated Steel
16481W	30	10	13	11	21	M6	20	Zinc plated Steel
16482S	30	10	13	11	21	M6	25	Zinc plated Steel
16483Z	30	10	13	11	21	M6	30	Zinc plated Steel
16484V	30	10	13	11	21	M6	40	Zinc plated Steel
16485R	30	10	13	11	21	M6	10	Stainless Steel

Continued on facing page »

« Continued from facing page

Part No.	A	B	C	D	E	Thread size	Thread length	Thread material
16486Y	30	10	13	11	21	M6	16	Stainless Steel
16487U	30	10	13	11	21	M6	20	Stainless Steel
16488Q	30	10	13	11	21	M6	25	Stainless Steel
16489X	30	10	13	11	21	M6	30	Stainless Steel
16490T	30	10	13	11	21	M6	40	Stainless Steel
16491P	30	10	13	11	21	M8	16	Zinc plated Steel
16492W	30	10	13	11	21	M8	20	Zinc plated Steel
16493S	30	10	13	11	21	M8	30	Zinc plated Steel
16494Z	30	10	13	11	21	M8	40	Zinc plated Steel
16495V	30	10	13	11	21	M8	16	Stainless Steel
16496R	30	10	13	11	21	M8	20	Stainless Steel
16497Y	30	10	13	11	21	M8	30	Stainless Steel
16498U	30	10	13	11	21	M8	40	Stainless Steel
16507R	40	12	16.5	14	26	M6	16	Zinc plated Steel
16508Y	40	12	16.5	14	26	M6	20	Zinc plated Steel
16509U	40	12	16.5	14	26	M6	30	Zinc plated Steel
16510Q	40	12	16.5	14	26	M6	40	Zinc plated Steel
16511X	40	12	16.5	14	26	M6	16	Stainless Steel
16512T	40	12	16.5	14	26	M6	20	Stainless Steel
16513P	40	12	16.5	14	26	M6	30	Stainless Steel
16514W	40	12	16.5	14	26	M6	40	Stainless Steel
16515S	40	12	16.5	14	26	M8	16	Zinc plated Steel
16516Z	40	12	16.5	14	26	M8	20	Zinc plated Steel
16517V	40	12	16.5	14	26	M8	25	Zinc plated Steel
16518R	40	12	16.5	14	26	M8	30	Zinc plated Steel
16519Y	40	12	16.5	14	26	M8	35	Zinc plated Steel
16520U	40	12	16.5	14	26	M8	40	Zinc plated Steel
16521Q	40	12	16.5	14	26	M8	45	Zinc plated Steel
16522X	40	12	16.5	14	26	M8	50	Zinc plated Steel
16523T	40	12	16.5	14	26	M8	16	Stainless Steel
16524P	40	12	16.5	14	26	M8	20	Stainless Steel

Continued overleaf »

« Continued from overleaf

Part No.	A	B	C	D	E	Thread size	Thread length	Thread material
16525W	40	12	16.5	14	26	M8	25	Stainless Steel
16526S	40	12	16.5	14	26	M8	30	Stainless Steel
16527Z	40	12	16.5	14	26	M8	35	Stainless Steel
16528V	40	12	16.5	14	26	M8	40	Stainless Steel
16529R	40	12	16.5	14	26	M8	45	Stainless Steel
16530Y	40	12	16.5	14	26	M8	50	Stainless Steel
16531U	40	12	16.5	14	26	M10	20	Zinc plated Steel
16532Q	40	12	16.5	14	26	M10	30	Zinc plated Steel
16533X	40	12	16.5	14	26	M10	40	Zinc plated Steel
16534T	40	12	16.5	14	26	M10	50	Zinc plated Steel
16535P	40	12	16.5	14	26	M10	20	Stainless Steel
16536W	40	12	16.5	14	26	M10	30	Stainless Steel
16537S	40	12	16.5	14	26	M10	40	Stainless Steel
16538Z	40	12	16.5	14	26	M10	50	Stainless Steel
16547W	50	14	20	17	31	M8	15	Zinc plated Steel
16548S	50	14	20	17	31	M8	20	Zinc plated Steel
16549Z	50	14	20	17	31	M8	25	Zinc plated Steel
16550V	50	14	20	17	31	M8	30	Zinc plated Steel
16551R	50	14	20	17	31	M8	40	Zinc plated Steel
16552Y	50	14	20	17	31	M8	15	Stainless Steel
16553U	50	14	20	17	31	M8	20	Stainless Steel
16554Q	50	14	20	17	31	M8	25	Stainless Steel
16555X	50	14	20	17	31	M8	30	Stainless Steel
16556T	50	16	24.5	20	36	M8	40	Stainless Steel
16557P	50	14	20	17	31	M10	20	Zinc plated Steel
16558W	50	14	20	17	31	M10	25	Zinc plated Steel
16559S	50	14	20	17	31	M10	30	Zinc plated Steel
16560Z	50	14	20	17	31	M10	40	Zinc plated Steel
16561V	50	14	20	17	31	M10	50	Zinc plated Steel
16562R	50	14	20	17	31	M10	20	Stainless Steel
16563Y	50	14	20	17	31	M10	25	Stainless Steel

Continued on facing page »

« Continued from facing page

Part No.	A	B	C	D	E	Thread size	Thread length	Thread material
16564U	50	14	20	17	31	M10	30	Stainless Steel
16565Q	50	14	20	17	31	M10	40	Stainless Steel
16566X	50	14	20	17	31	M10	50	Stainless Steel
16567T	50	14	20	17	31	M12	20	Zinc plated Steel
16568P	50	14	20	17	31	M12	30	Zinc plated Steel
16569W	50	14	20	17	31	M12	40	Zinc plated Steel
16570S	50	14	20	17	31	M12	50	Zinc plated Steel
16571Z	50	14	20	17	31	M12	20	Stainless Steel
16572V	50	14	20	17	31	M12	30	Stainless Steel
16573R	50	14	20	17	31	M12	40	Stainless Steel
16574Y	50	14	20	17	31	M12	50	Stainless Steel
16579P	60	16	24.5	20	36	M10	20	Zinc plated Steel
16580W	60	16	24.5	20	36	M10	30	Zinc plated Steel
16581S	60	16	24.5	20	36	M10	40	Zinc plated Steel
16582Z	60	16	24.5	20	36	M10	50	Zinc plated Steel
16583V	60	16	24.5	20	36	M10	20	Stainless Steel
16584R	60	16	24.5	20	36	M10	30	Stainless Steel
16585Y	60	16	24.5	20	36	M10	40	Stainless Steel
16586U	60	16	24.5	20	36	M10	50	Stainless Steel
16587Q	60	16	24.5	20	36	M12	20	Zinc plated Steel
16588X	60	16	24.5	20	36	M12	25	Zinc plated Steel
16589T	60	16	24.5	20	36	M12	30	Zinc plated Steel
16590P	60	16	24.5	20	36	M12	40	Zinc plated Steel
16591W	60	16	24.5	20	36	M12	50	Zinc plated Steel
16592S	60	16	24.5	20	36	M12	20	Stainless Steel
16593Z	60	16	24.5	20	36	M12	25	Stainless Steel
16594V	60	16	24.5	20	36	M12	30	Stainless Steel
16595R	60	16	24.5	20	36	M12	40	Stainless Steel
16596Y	60	16	24.5	20	36	M12	50	Stainless Steel
16601P	80	18	33	23	41	M12	30	Zinc plated Steel
16602W	80	18	33	23	41	M12	40	Zinc plated Steel

Continued overleaf »

« Continued from overleaf

Part No.	A	B	C	D	E	Thread size	Thread length	Thread material
16603S	80	18	33	23	41	M12	50	Zinc plated Steel
16604Z	80	18	33	23	41	M12	60	Zinc plated Steel
16605V	80	18	33	23	41	M12	30	Stainless Steel
16606R	80	18	33	23	41	M12	40	Stainless Steel
16607Y	80	18	33	23	41	M12	50	Stainless Steel
16608U	80	18	33	23	41	M12	60	Stainless Steel
16609Q	80	18	33	23	41	M16	30	Zinc plated Steel
16610X	80	18	33	23	41	M16	40	Zinc plated Steel
16611T	80	18	33	23	41	M16	50	Zinc plated Steel
16612P	80	18	33	23	41	M16	60	Zinc plated Steel
16613W	80	18	33	23	41	M16	30	Stainless Steel
16614S	80	18	33	23	41	M16	40	Stainless Steel
16615Z	80	18	33	23	41	M16	50	Stainless Steel
16616V	80	18	33	23	41	M16	60	Stainless Steel