



R4 Rotary Latch

Medium-Duty – Concealed

- Symmetrical design with cable mount simplifies installation
- Integrated bumper reduces noise and dampens vibration
- Front or side mount

Material and Finish

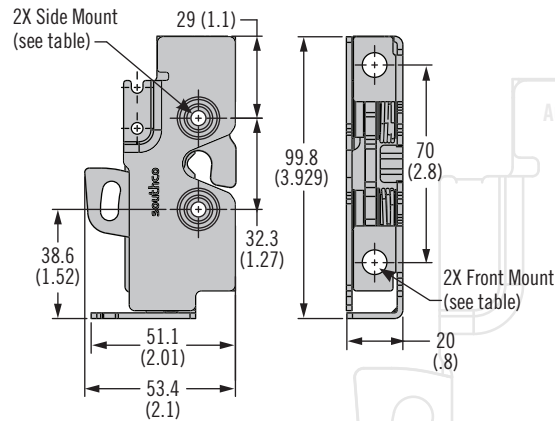
Steel, zinc plate or zinc nickel plate

Accessories

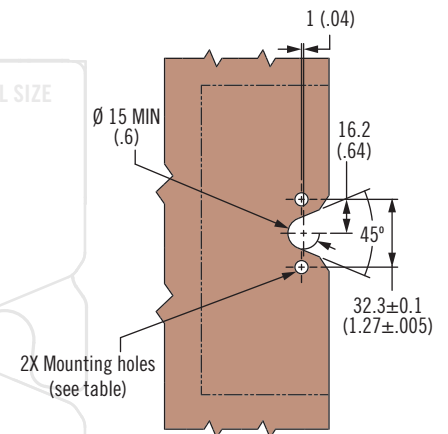
Strikers see page 297 for 9mm diameter (integrated bumper) solutions.

Cables and retainer clips see pages 322-323

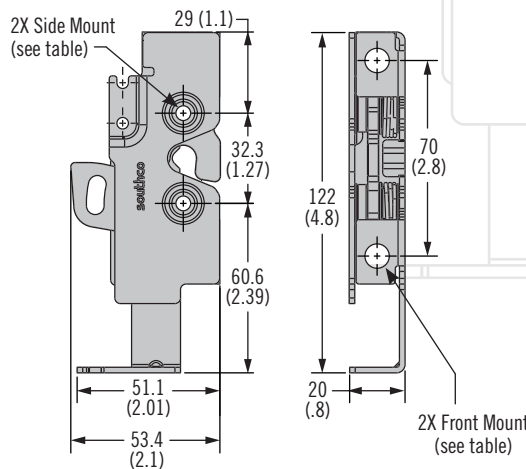
Latch with mount for cable without return assist spring



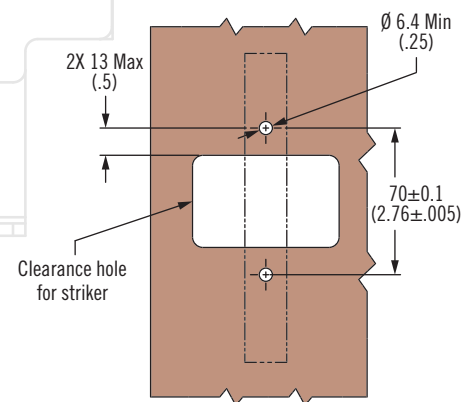
Panel preparation side mount



Latch with mount for cable with return assist spring



Panel preparation front mount



Part Number Selection

R4 - 25 - 2 I - 5 0 0 B - MM

- I** Mounting Style
- 0 Side mount Ø6.7(.283) thru
 - 1 Side mount 1/4-20 thread
 - 2 Side mount M6 x 1 thread
 - 3 Front mount (M6) with side mount Ø6.7(.283) thru

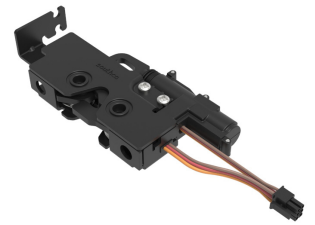
- MM** Material
- 10 Steel, zinc plated
 - 15 Steel, black zinc nickel

- B** Base Style
- 2 Mount for cable with return spring assist, no bumper
 - 3 Mount for cable without return spring assist, no bumper
 - 6 Mount for cable with return spring assist, with bumper
 - 7 Mount for cable without return spring assist, with bumper

Dimensions in millimeters (inch) unless otherwise stated

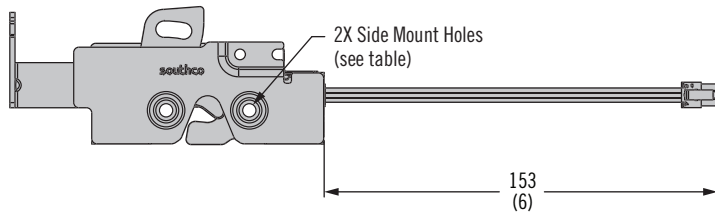
R4 Rotary Latch

Medium-Duty – Concealed – Electronic Operation and Door Sensing



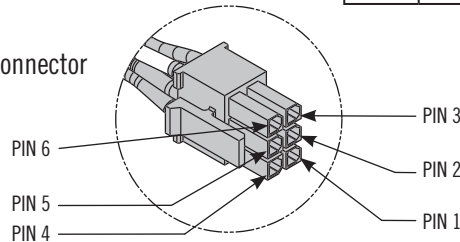
Latch with door sensor

(with mount for cable with return assist spring shown)



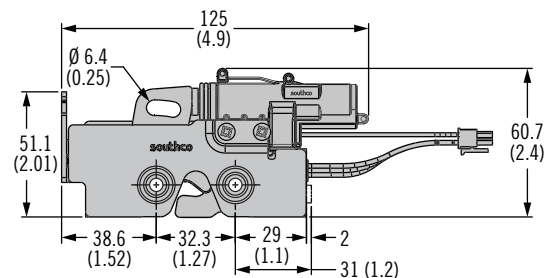
Switch Pin Out	
Pin	Function
1	No connect
2	No connect
3	No connect
4	Switch common
5	Door secure
6	Door open

Molex Micro-Fit 3.0 connector



Latch with door sensor and 12 V sealed electronic actuator

(with mount for cable without return assist spring shown)



Switch with Actuator Pin Out	
Pin	Function
1	Ground
2	Power release
3	Power relock
4	Switch common
5	Door secure
6	Door open

Enable wireless operation with Southco's **BLUETOOTH®** Controller



Part Number Selection

R4 - 25 - 2 I - 5 1 E B - MM

- I** Mounting Style
- 0 Side mount $\varnothing 6.7(.283)$ thru
 - 1 Side mount 1/4-20 thread
 - 2 Side mount M6 x 1 thread
 - 3 Front mount (M6) with side mount $\varnothing 6.7(.283)$ thru

- E** Electronic Actuation Options
- 0 None (latch with switch only)
 - B 12VDC sealed (latch with switch and electronic actuator)

- MM** Material
- 10 Steel, zinc plated
 - 15 Steel, black zinc nickel

- B** Base Style
- 2 Mount for cable with return spring assist, no bumper
 - 3 Mount for cable without return spring assist, no bumper
 - 6 Mount for cable with return spring assist, with bumper
 - 7 Mount for cable without return spring assist, with bumper



Dimensions in millimeters (inch) unless otherwise stated

- Symmetrical design with cable mount simplifies installation
- Integrated bumper reduces noise and dampens vibration
- Front or side mount
- Sensor verifies door closure
- Sealed (IP67) 12VDC actuator enables remote electrical operation
- Latch releases reliably under high load

Material and Finish

Steel, zinc plate or zinc nickel plate

Electronic specifications:

Operating voltage 12 VDC nominal

Operating current < 300mA

Temperature -40 to 80°C

Sealed (IP67 / Class 1 Division 2)

Accessories

Strikers see page 297 for 9mm diameter (integrated bumper) solutions
Cables and retainer clips see pages 322-323